

CORATECH® SHOWERTRAY

900 x 760, 760 / 800 / 900 SHOWERTRAY

Please read these instructions carefully and keep for future reference. Incorrect fitting will invalidate the guarantee.

SAFETY



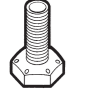



- Make sure there are no hidden pipes or cables in the floor or walls where you intend to drill.
- Wear safety goggles, shoes and appropriate clothing.

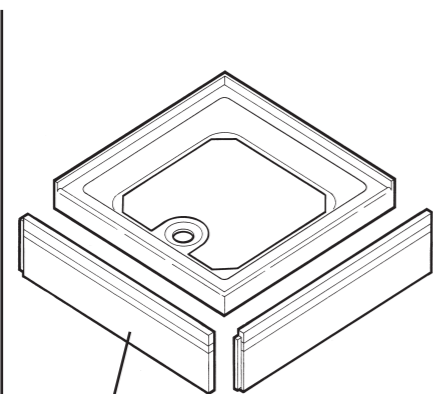
Check contents of pack before installation. If there is anything missing, contact our Customer Careline for assistance: +44 (0) 1746 713410

EQUIPMENT NEEDED

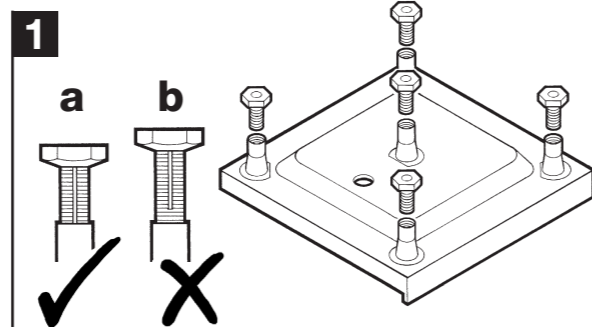
Crosshead Screwdriver, Spirit Level, Pencil, Fine Tooth Saw, Ruler, Masking Tape, Silicone Sealant

- Once fitted the showertray must be tiled in place.
- Acrylic sealants, plumbers putty or mastic will damage the surface of the shower tray.

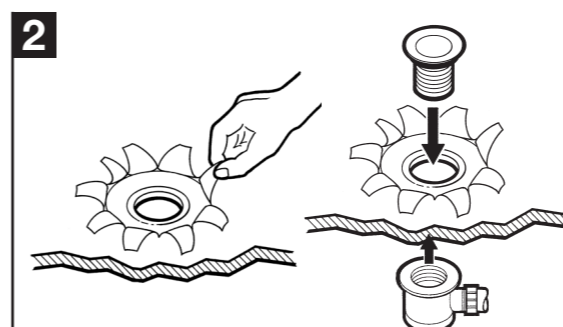
	PN60138	8
	PN60139	6
	PN50193	5
	PN50196	4 2&4 Upstands
	PN60171	2 3 Upstands
	PN60171	1



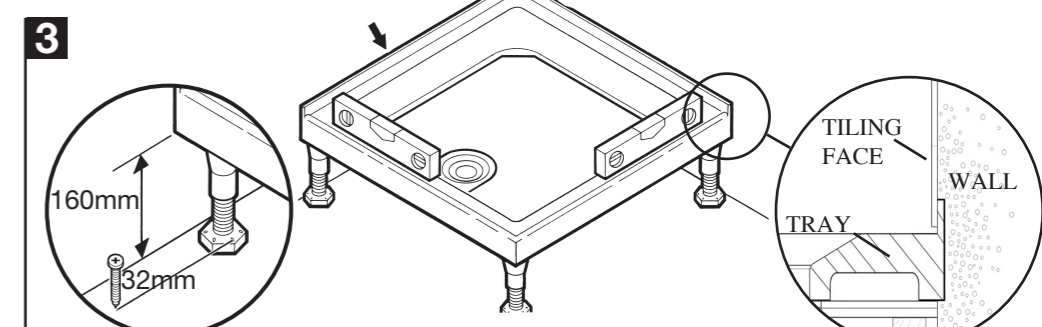
760 = PN30006 800 = PN30007
900 = PN30008



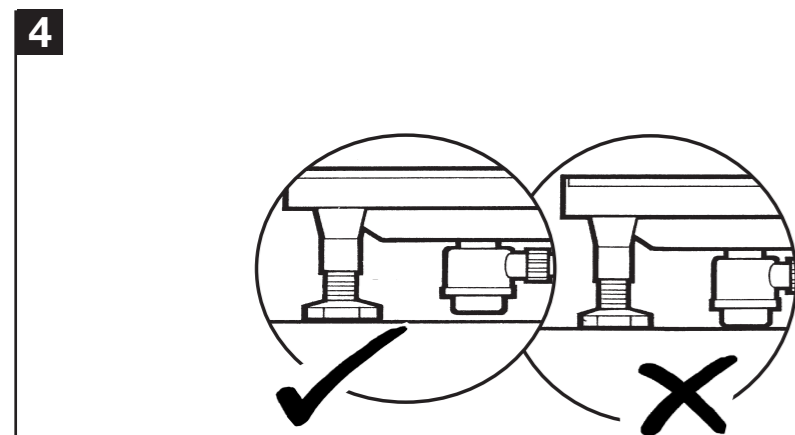
Fit ALL legs, including the centre leg. Note: The legs must be screwed in far enough that the end of the groove on the leg is **NOT** visible (a).



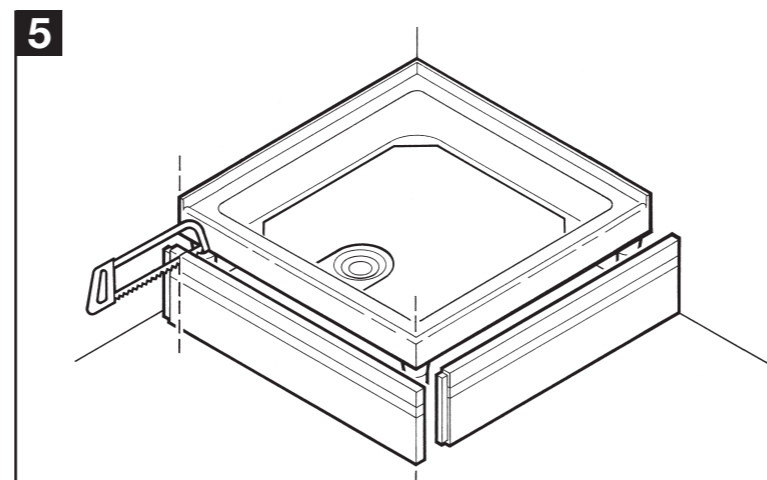
Peel back protective film from waste hole inside tray and fit waste outlet. Fit the waste and trap as per the manufacturers instruction. **Do not apply any sealant to the underside of the tray as this will invalidate the guarantee.**



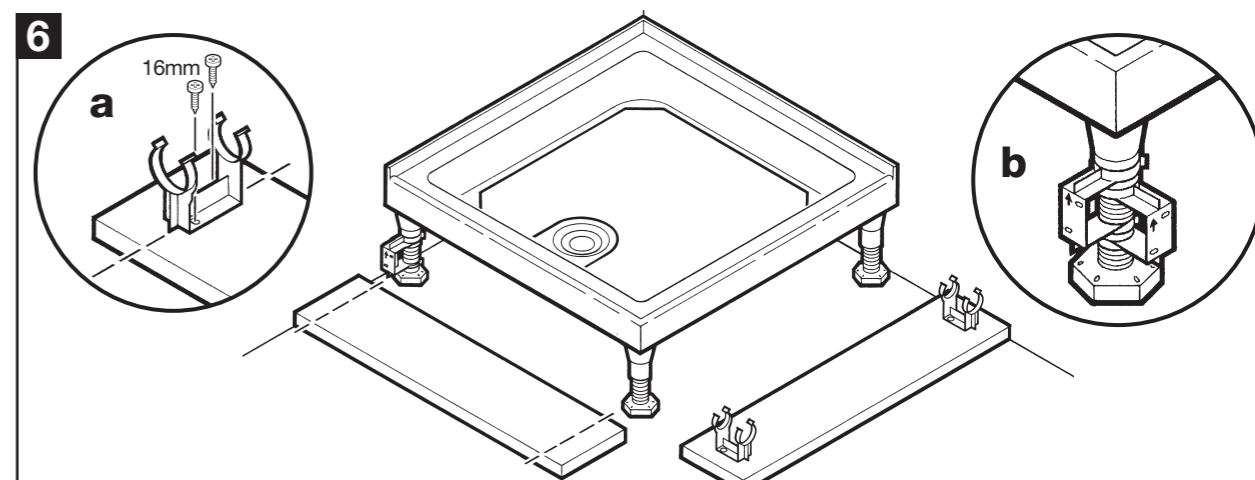
Ensure the tiling upstand is either recessed into the wall or boarded over so the tiling face is flush with the edge shown in the diagram. Adjust legs where necessary. Check tray is level in all directions (there is a built in fall on the tray for water drainage). Ensure all legs are wound down tight to the floor. Fix legs to the floor using 32mm screws, where accessible.



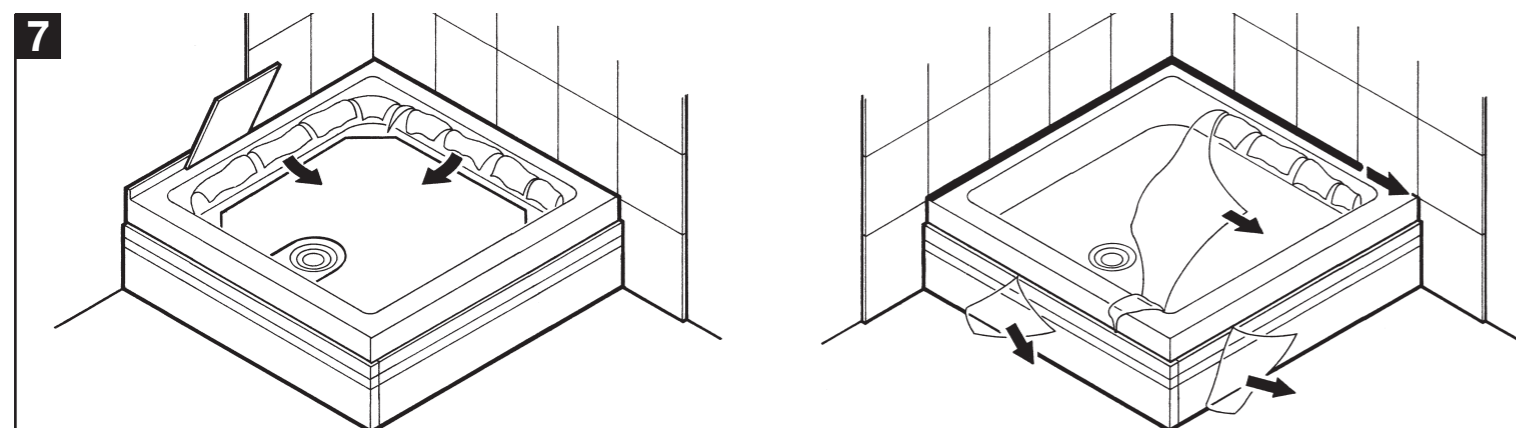
Place the tray in position and fit waste pipe. Make sure the trap is clear of the floor when standing in the tray. If necessary cut a hole in the floor to provide adequate clearance.



If necessary, carefully cut the outside edges of panel/s to fit.



Align panel/s up with tray, fit brackets and mark centre line of brackets onto back of panel/s. Ensure the direction arrow on panel clips point up and fix to the panel/s using 16mm screws (a). **Corner leg:** Panel clips must be fitted to panel/s so they are staggered and do not clash with each other when fitted to legs (b). Push fit panel/s into place.



Peel back protective film from back edges of tray. **Tile over upstands. Seal wall edges of tray with silicone sealant.** When the final installation of the enclosure is complete remove the remaining protective film.

IMPORTANT

You must not use or work on the showertray for 24 hours after installation.

DO NOT use bleach, scouring powders, solvents or other aggressive cleaning agents. To clean, use warm soapy water and a clean cloth and rinse off.

NOTE: The tray should be inspected six months after installation, check for any floor movement. If necessary adjust all the legs to ensure they are resting on the floor. Sealant should **ONLY** be applied to the surface of the tray, never the underside, any sealant applied to the underside of the tray will invalidate the guarantee.

CUSTOMER CARE 01746 713410
CORAM SHOWERS LTD

Stanmore Industrial Estate, Bridgnorth, Shropshire WV15 5HP, UK
Tel: 01746 766466 Fax: 01746 764140 www.coram.co.uk