

CORATECH® SHOWERTRAY

1000 x 800, 1200 x 760 & 1200 x 800 SHOWERTRAY

Please read these instructions carefully and keep for future reference. Incorrect fitting will invalidate the guarantee.

SAFETY

- Make sure there are no hidden pipes or cables in the floor or walls where you intend to drill.
- Wear safety goggles, shoes and appropriate clothing.



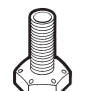

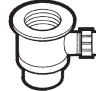
EQUIPMENT NEEDED

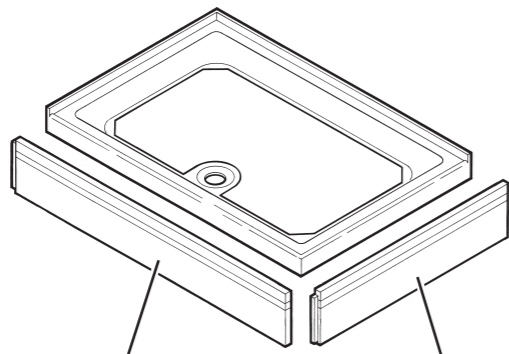
Crosshead Screwdriver, Spirit Level, Pencil, Fine Tooth Saw, Ruler, Masking Tape, Silicone Sealant, Methylated Spirit.

- Once fitted the showertray must be tiled in place.
- **Putty, mastics or acrylic sealant will damage the surface of the showertray. Only use silicone sealant.**
- Areas requiring silicone sealant should be cleaned with methylated spirit first.

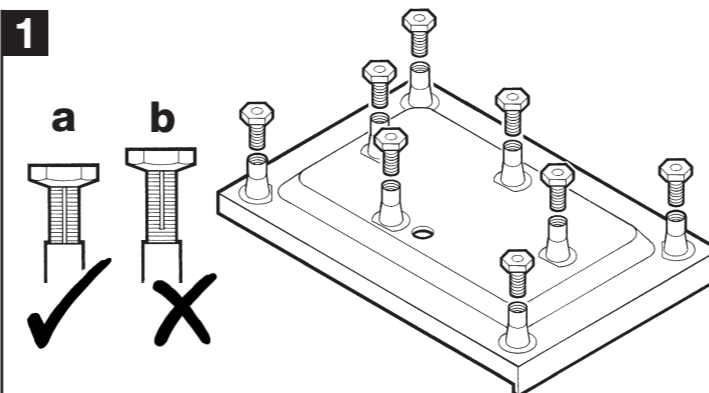
Check contents of pack before installation.

If there is anything missing, contact our Customer Careline for assistance: +44 (0) 1746 713410

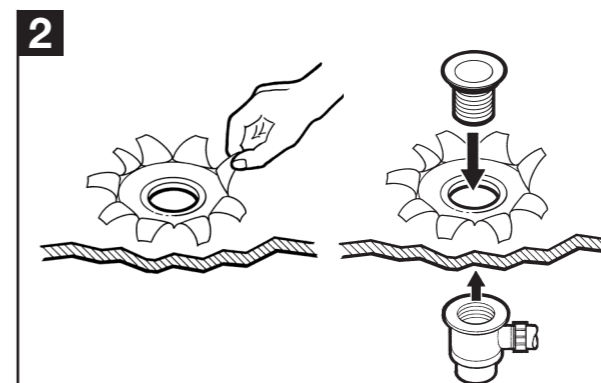
	PN60138 16mm	8
	PN60139 32mm	6
	PN50193	8
	PN50196	4 2 Upstands
		2 3 Upstands
	PN60171	1



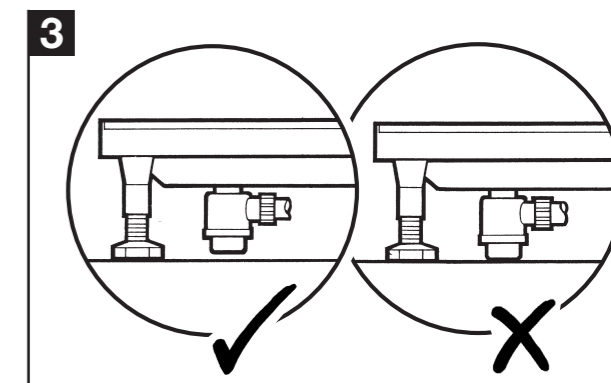
1000 x 800 2 Upstands (Left hand) PN30016 2 Upstands (Right hand) PN30017 3 Upstands PN30016	1000 x 800 PN30007 1200 x 760 PN30006 1200 x 800 PN30007
--	--



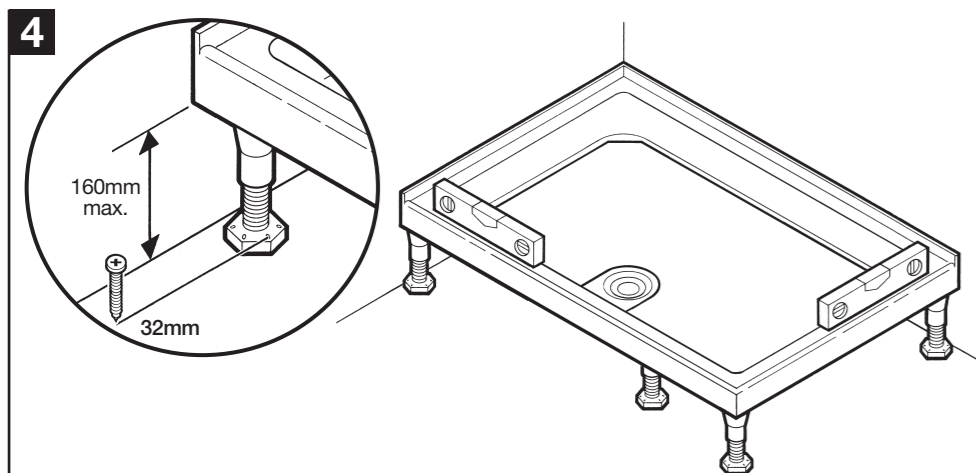
Fit ALL legs, including the centre legs.
Note: The legs must be screwed in far enough that the end of the groove on the leg is **NOT** visible (a).



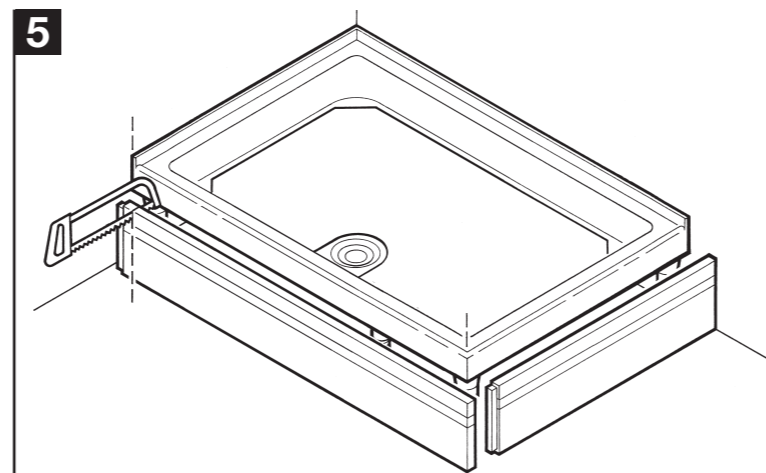
Peel back protective film from waste hole inside tray and fit waste outlet. Fit the waste and trap as per the manufacturers instruction. **Do not apply any sealant to the underside of the tray as this will invalidate the guarantee.**



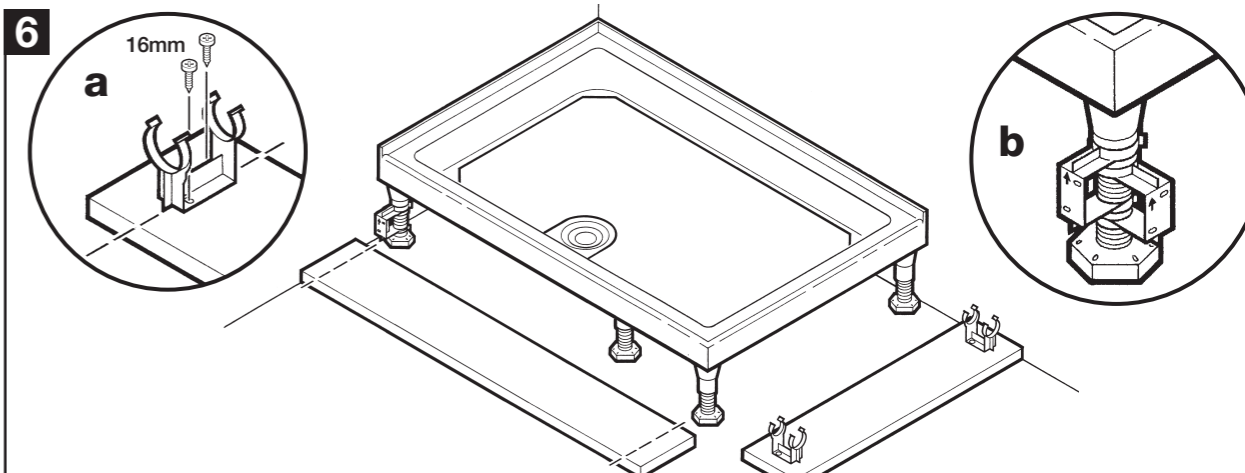
Place the tray in position and fit waste pipe. **Make sure pipe work is clear of floor, and the base of the tray.**



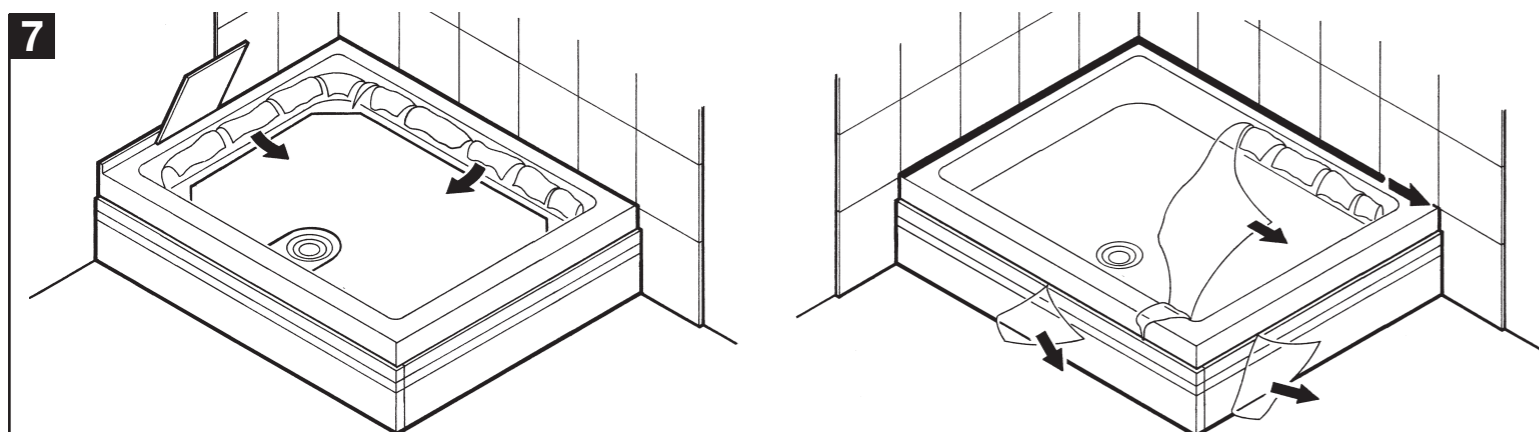
Adjust legs where necessary. Check tray is level in all directions (there is a built in fall on the tray for water drainage). **Centre legs MUST make contact with the floor.** Fix legs to the floor using 32mm screws, where accessible.



If necessary, carefully cut the outside edges of panel/s to fit.



Align panel/s up with tray, fit brackets and mark centre line of brackets onto back of panel/s. Ensure the direction arrow on panel clips point up and fix to the panel/s using 16mm screws (a). **Corner leg:** Panel clips must be fitted to panel/s so they are staggered and do not clash with each other when fitted to legs (b). Push fit panel/s into place.



Peel back protective film from back edges of tray. **Tile over upstands. Seal wall edges of tray with silicone sealant.** When the final installation of the enclosure is complete remove the remaining protective film.

IMPORTANT

- You must not use or work on the showertray for 24 hours after installation.
- DO NOT** use bleach, scouring powders, solvents or other aggressive cleaning agents. To clean, use warm soapy water and a clean cloth and rinse off.
- NOTE:** The tray should be inspected six months after installation, check for any floor movement. If necessary adjust all the legs to ensure they are resting on the floor.

CUSTOMER CARELINE +44 (0) 1746 713410

A PRODUCT OF THE CORAM GROUP OF COMPANIES

Coram Showers Ltd. Stanmore Industrial Estate, Bridgnorth, Shropshire WV15 5HP, UK

Tel: +44 (0) 1746 766466 Fax: +44 (0) 1746 764140

www.coram.co.uk