

# CORATECH® SHOWERTRAY

800 / 900 &amp; OFFSET QUADRANT SHOWERTRAY

Please read these instructions carefully and keep for future reference. Incorrect fitting will invalidate the guarantee.

## SAFETY




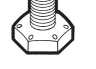


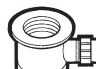

- Make sure there are no hidden pipes or cables in the walls where you intend to drill.
- Wear safety goggles, shoes and appropriate clothing.

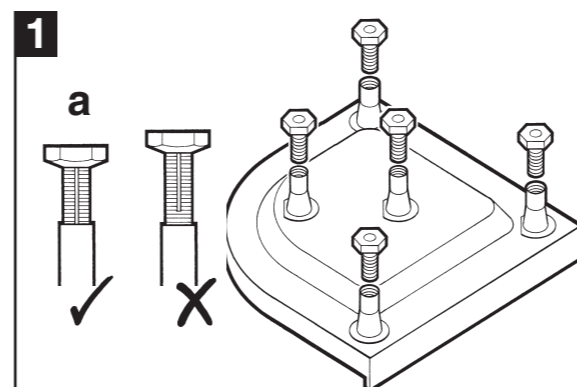
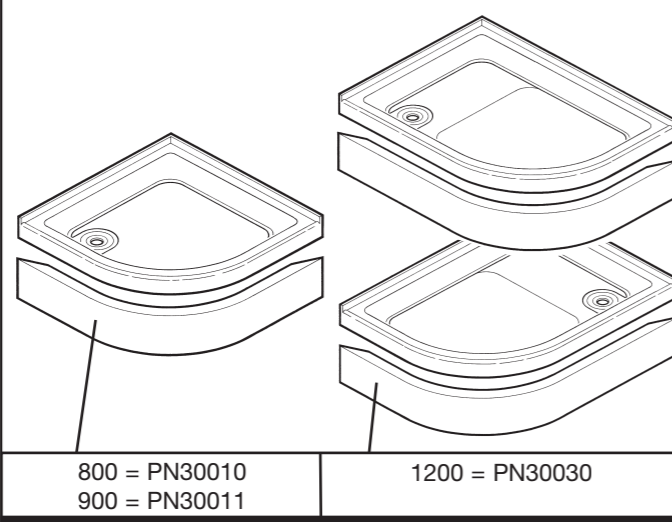
## EQUIPMENT NEEDED

Crosshead Screwdriver, Spirit Level, Pencil, Fine Tooth Saw, Ruler, Masking Tape, Silicone Sealant.

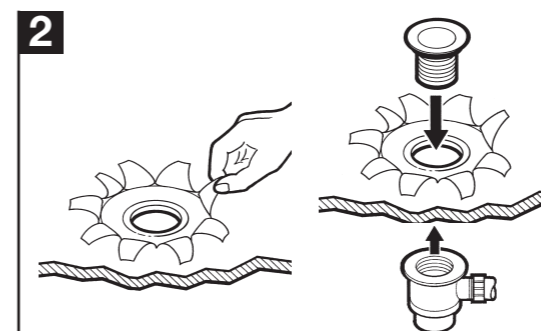
- Once fitted the showertray must be tiled in place.
- Acetoxycure sealant, acrylic sealants, plumbers putty or mastic will damage the surface of the shower tray, only use neutral cure sealant.

Check contents of pack before installation. If there is anything missing, contact our Customer Careline for assistance: +44 (0) 1746 13410

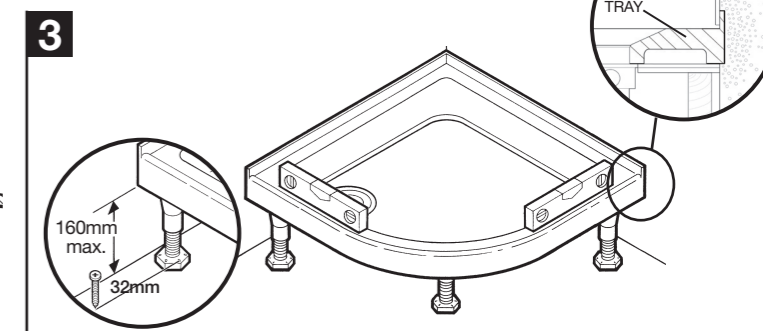
	PN60138	8
	16mm	
	PN60139	6
	32mm	
	PN50193	5   800/900 Quadrant
	PN50196	9   Offset Quadrant
	PN50196	2
	PN60171	1



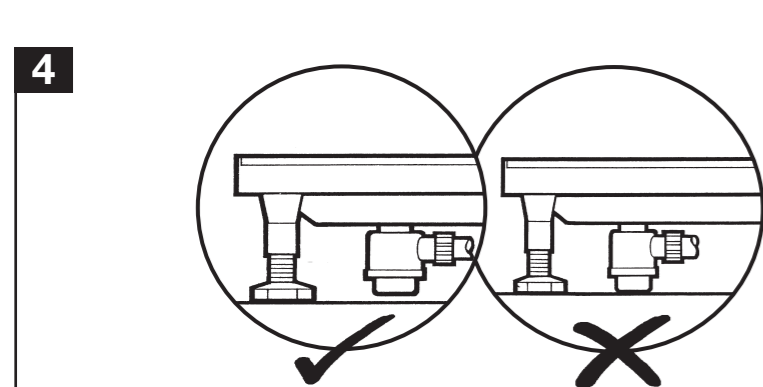
**Fit all legs, including the centre legs.**  
**Note:** The legs must be screwed in far enough that the end of the groove on the leg is **NOT** visible (a).



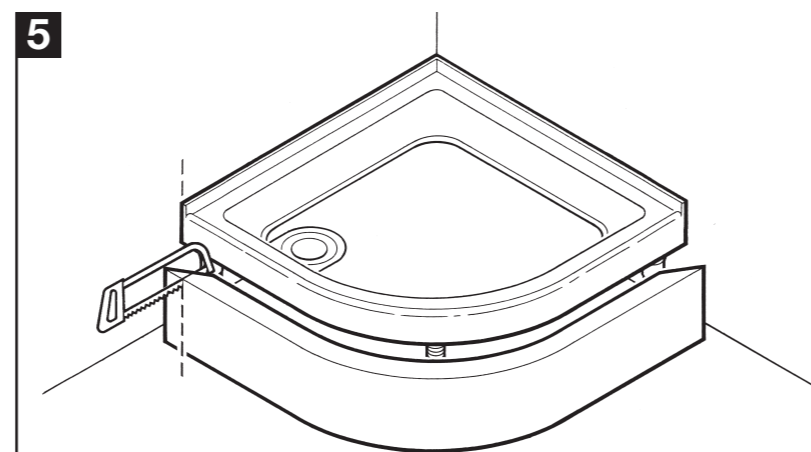
Peel back protective film from waste hole inside tray and fit waste outlet. Fit the waste and trap as per the manufacturer's instruction. **Do not apply any sealant to the underside of the tray as this will cause the tray to crack and invalidate the guarantee.**



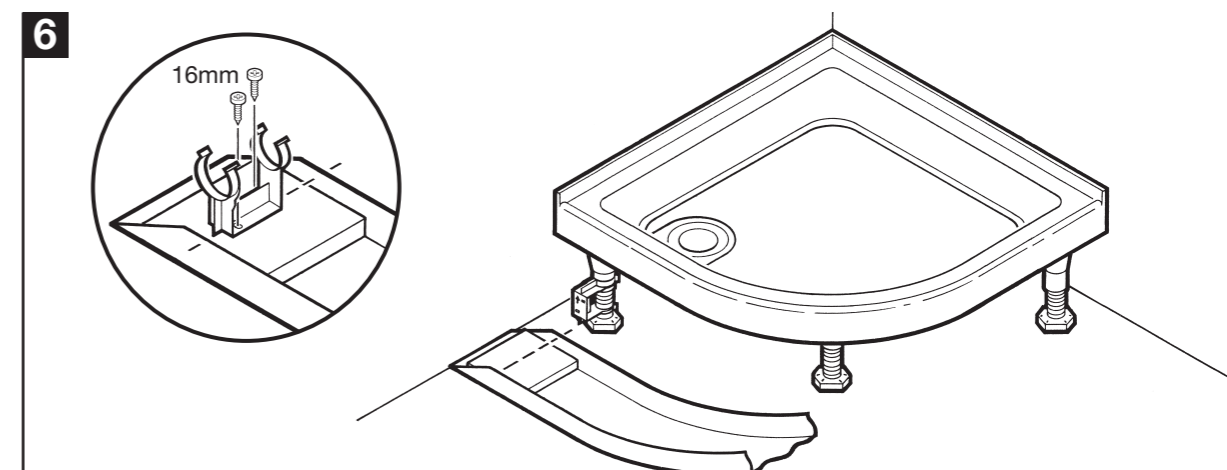
Ensure the tiling upstand is either recessed into the wall or boarded over so the tiling face is flush with the edge shown in the diagram. Adjust legs where necessary. Check tray is level in all directions (there is a built-in fall on the tray for water drainage). Ensure all legs are wound down tight to the floor. Fix legs to the floor using 32mm screws, where accessible.



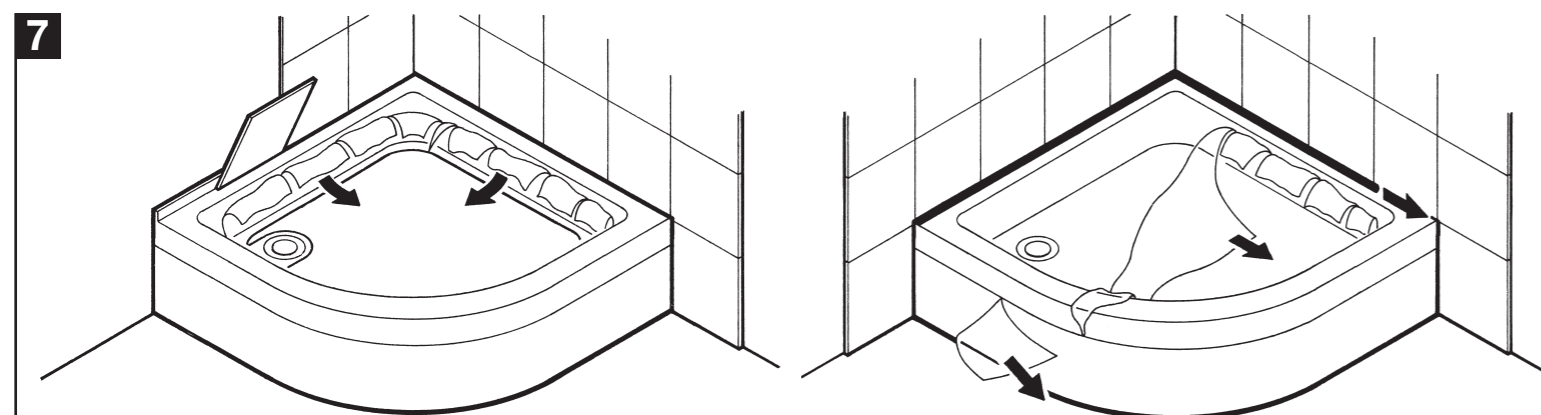
Place the tray in position and fit waste pipe. Make sure the trap is clear of the floor when standing in the tray. If necessary cut a hole in the floor to provide adequate clearance.



If necessary, carefully cut the outside edges of panel to fit.



Align the panel up with the tray, fit brackets and mark centre line of brackets onto back of the panel. Ensure the direction arrow on the panel clips point upwards. Fix the brackets to the panel using 16mm screws. Push fit panel into place.



Peel back protective film from back edges of tray. Tile over upstands. Seal wall edges of tray with silicone sealant. Remove film from tray and panel when final installation of enclosure is complete.

**IMPORTANT** You must not use or work on the showertray for 24 hours after installation.

**DO NOT** use bleach, scouring powders, solvents or other aggressive cleaning agents. To clean, use warm soapy water and a clean cloth and rinse off.

**NOTE:** The tray should be inspected six months after installation, check for any floor movement. If necessary adjust all the legs to ensure they are resting on the floor.

Acetoxycure Sealant (sealant which smells like vinegar) releases acetic acid when drying which will cause the surface of the tray to crack. Only ever use neutral cure sealant to seal the tray.

Recommended brands: Bond It Premiere LN7, Uni-Fix Sanitary Low Modulus Neutral Cure, Please contact customer care if you wish to purchase.

Any sealant applied to the underside of the tray will invalidate the guarantee.

**CUSTOMER CARELINE +44 (0) 1746 713410**  
**A PRODUCT OF THE CORAM GROUP OF COMPANIES**

Coram Showers Ltd. Stanmore Industrial Estate, Bridgnorth, Shropshire WV15 5HP, UK

Tel: +44 (0) 1746 766466 Fax: +44 (0) 1746 764140

www.coram.co.uk