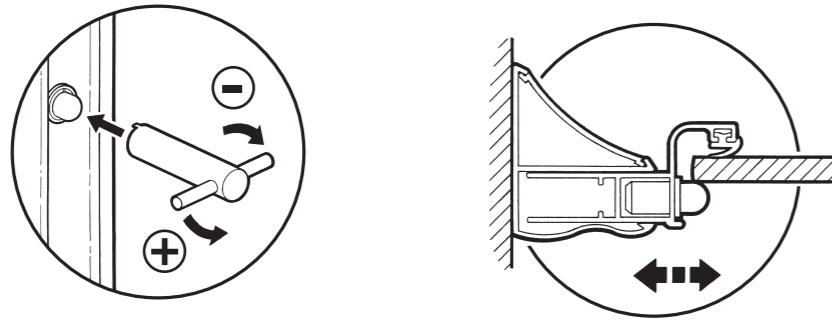


6



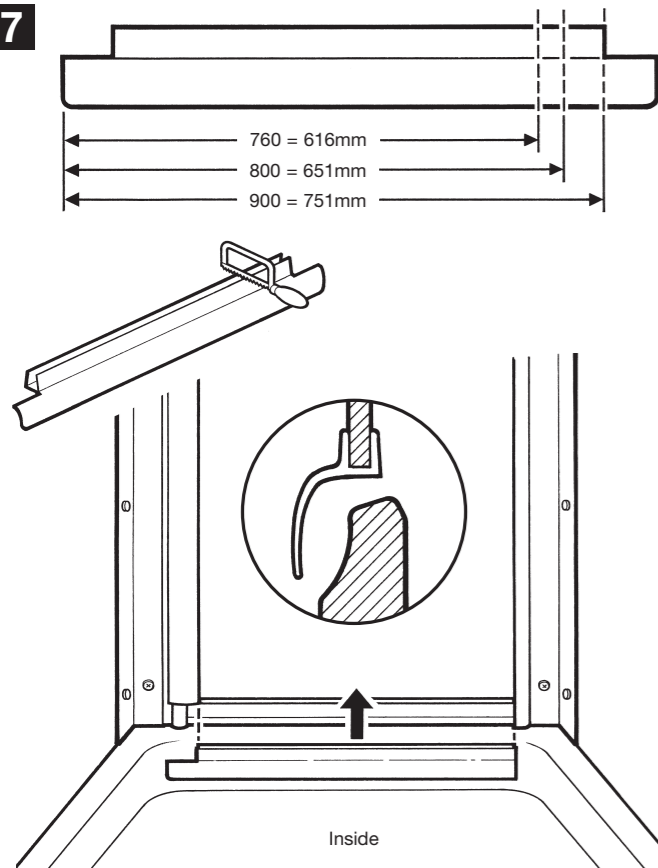
Using the tool supplied, adjust both ball catches until the door is held as required.

Clockwise - winds the catches in.

Anti-clockwise - winds the catches out.

Note: Do not wind the catches out too far.

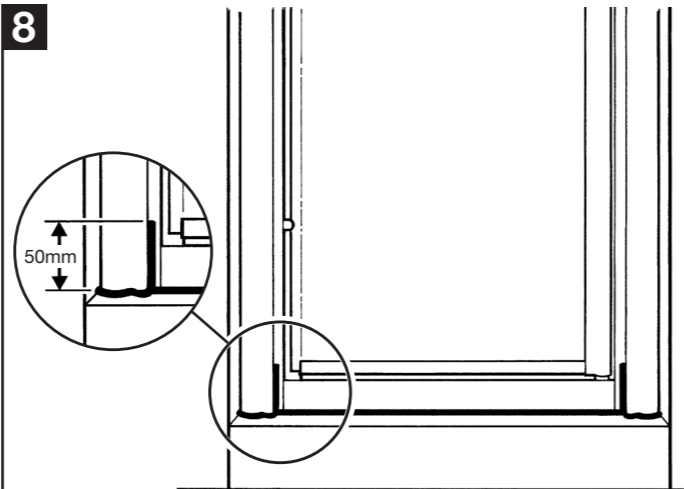
7



The flap on the door seal must fit on the inside of the door.

The excess flap/door seal must be cut from the door opening side only. Push fit the door seal.

8

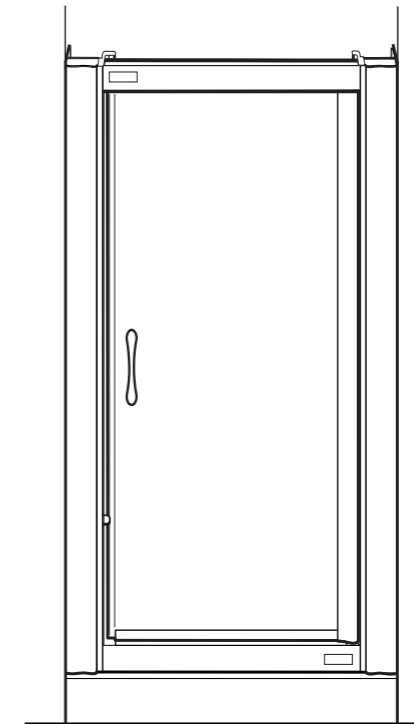


From the outside only, apply sealant to the bottom of the enclosure and 50mm up the wall channels as shown.

IMPORTANT: You must not use the shower for 24 hours after installation of the enclosure.

DO NOT use bleach, scouring powders, solvents or other aggressive cleaning agents. To clean, use warm soapy water and a clean cloth and rinse off.

SWING DOOR



**Please read these instructions carefully and keep for future reference.
Incorrect fitting will invalidate the guarantee.**

SAFETY

- Handle glass with great care. Although the glass is very tough, sharp impacts can damage both the glass and metal frame.
- Make sure there are no hidden pipes or cables hidden in the wall where you intend to drill.
- Wear safety goggles, shoes and appropriate clothing.

BEFORE INSTALLATION

- Check that the shower tray is level in all directions. The enclosure will not sit correctly on an uneven surface. If uneven, the wall channels may not fit and the doors may not shut correctly.
- The enclosure should be fitted on tiled walls which are sealed with waterproof grout. There must be a good silicone seal between the rim of the shower tray and the wall.
- The shower tray and the enclosure must match in size. Attempting to fit the incorrect size of enclosure to the shower tray will result in water leaks.
- Always check very carefully that components are vertical.
- To avoid damage, use the opened out packaging to build the enclosure on.

Equipment needed:

Drill, 6.5mm Masonry Bit, 4.5mm & 3mm Metal Bits (general), Crosshead Screwdriver, Fine Tooth Saw, Spirit Level, Pencil, Silicone Sealant, Tape Measure, Masking Tape.

Note: The screws and wall plugs supplied are for masonry walls. For lightweight walls i.e. stud partition, plasterboard etc, use the correct type of fixings.

A PRODUCT OF THE CORAM GROUP OF COMPANIES

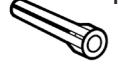
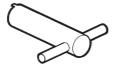






Coram Showers Ltd. Stanmore Industrial Estate, Bridgnorth, Shropshire WV15 5HP, UK

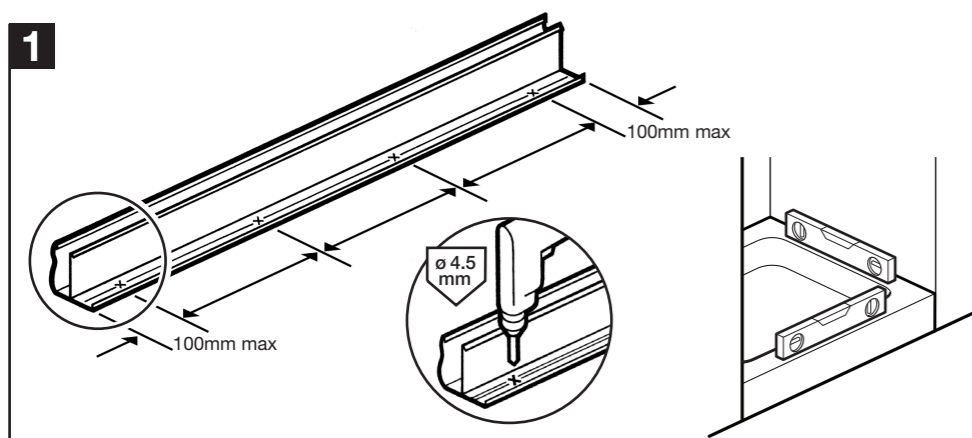
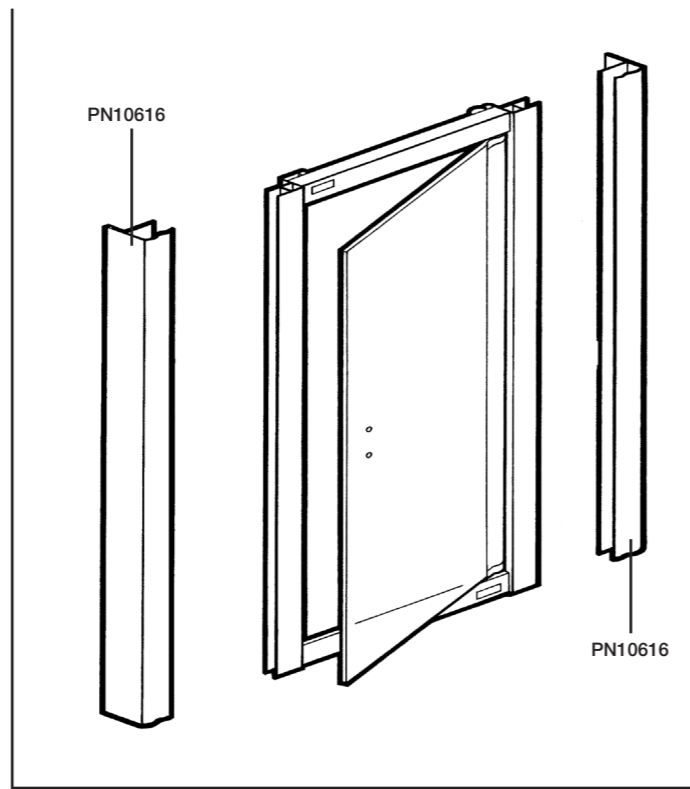
www.coram.co.uk

CUSTOMER CARELINE 01746 713410

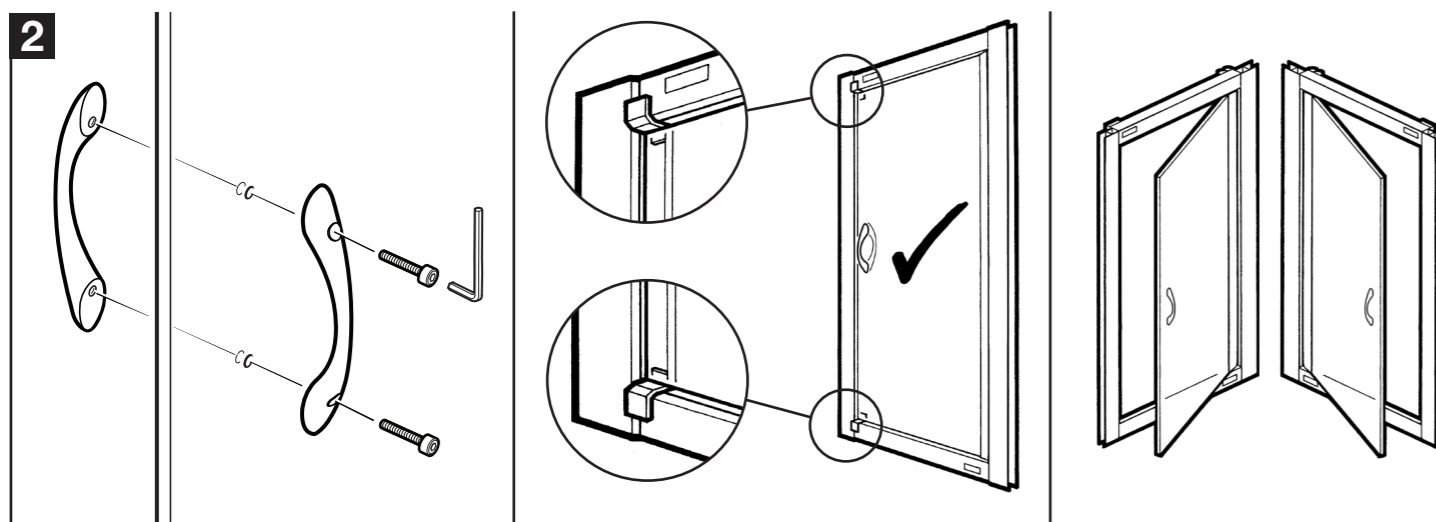
Check the contents of the pack before installation.
If there is anything missing, contact our Customer Careline for assistance.

CUSTOMER CARELINE: +44 (0) 1746 713410

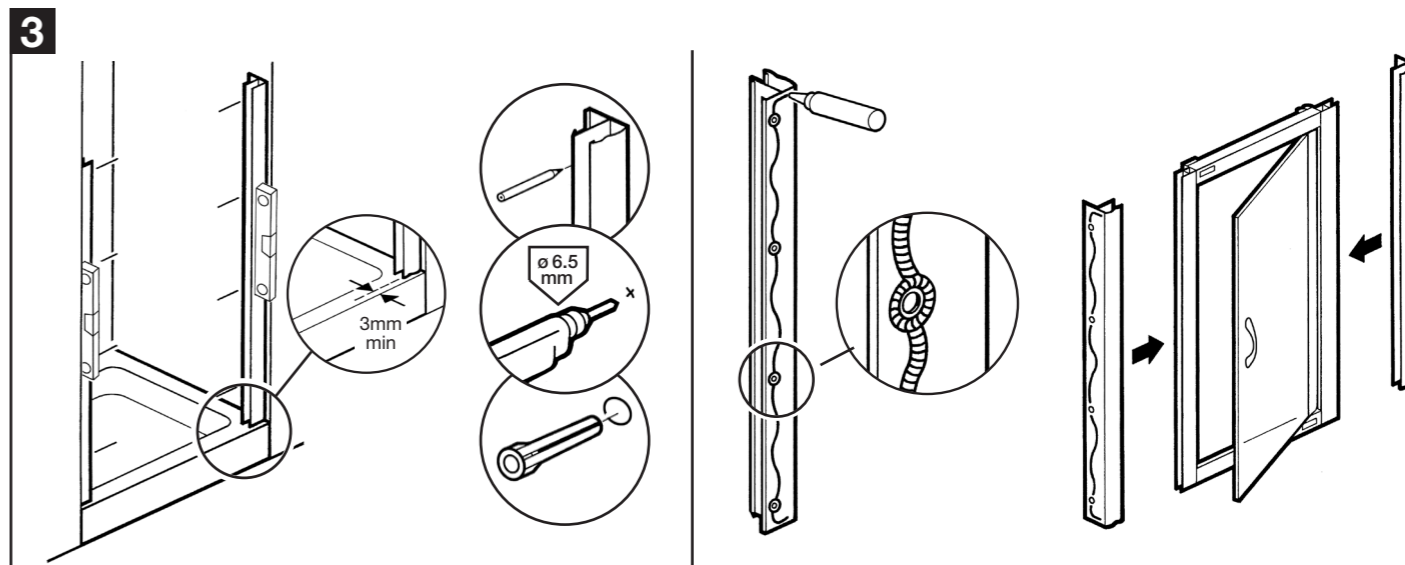
	PN3230	8		PN60167	1
	PN3225	8		PN80303	1
	PN3222	6		PN4748	14
	PN6022002	1			
	PN60162	1			



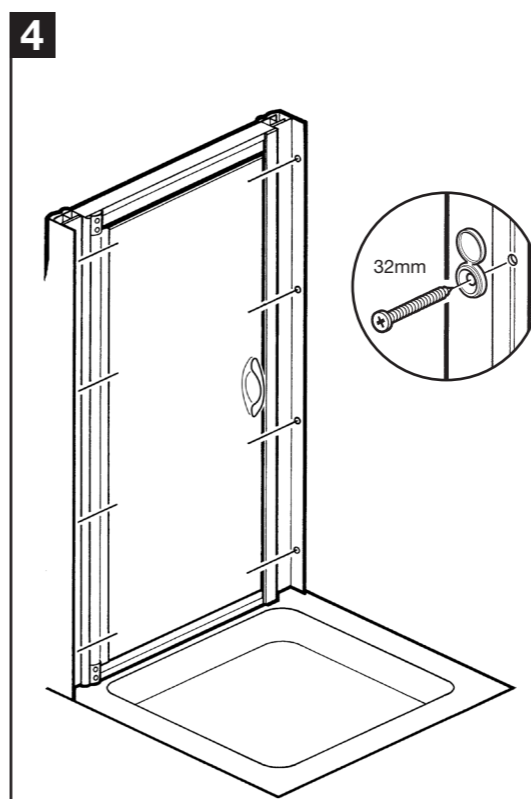
Drill holes in both wall channels at the points shown using a 4.5mm drill bit, through the edge shown and between the grooves.
Ensure the showertray is level in all directions.



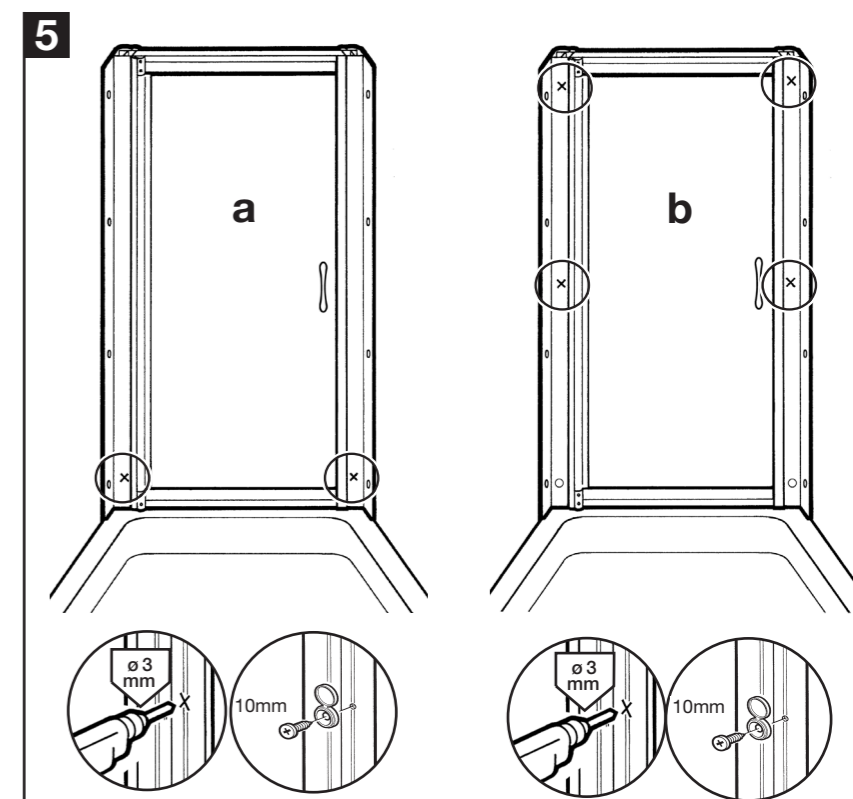
Fit the door handles with the allen bolts on the inside of the door. (A chrome finish handle is supplied with all frame finish options).
Leave the yellow wedges in position on the door until installation is complete.
Choose the opening side for the door (turn over if necessary).



Place the wall channels on the tray ensuring they are vertical and a minimum of 3mm back from the front of the tray.
Place masking tape against the wall before marking the drill hole positions. This will help prevent the drill bit slipping.
Drill 6.5mm holes, 30mm deep and insert the wall plugs.
Apply sealant to the back of the wall channels.
Place the wall channels onto the door.



Place the door in position on the tray, fix the wall channels to the walls using 32mm screws and screw caps.



Check the door is centrally positioned and perfectly vertical.
Drill inside of the wall channels using a 3mm drill bit in the two lower positions shown. Fix using 10mm screws and screw caps (a).
Check the door is vertical, drill the next four holes and fix using 10mm screws and screw caps (b).