

# SLIMLINE SHOWERTRAY

Please read these instructions carefully and keep for future reference. Incorrect fitting will invalidate the guarantee.

## SAFETY

- Make sure there are no hidden pipes or cables in the floor or walls where you intend to drill.
- Wear safety goggles, shoes and appropriate clothing.

## EQUIPMENT NEEDED

Spirit Level, Pencil, Saw/Jig Saw, Ruler, Silicone Sealant, 90mm shower trap (McAlpine ST90CP10 or similar)

## BEFORE INSTALLATION

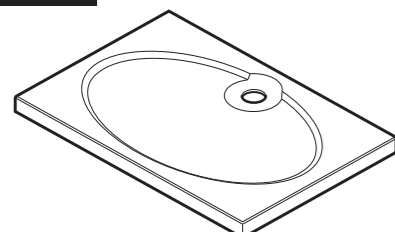
- The Bow Front, Crescent and Walk-In showertrays are for use with Coram enclosures only.
- The tiles must be installed after the showertray, so the tiles sit on top of the tray rim.

- Once fitted the showertray must be tiled in place.
- Putty, mastics or acrylic sealant will damage the surface of the showertray. Only use silicone sealant.

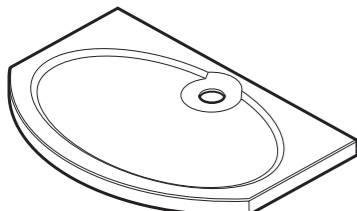
Installation of the showertray can be carried out in one of TWO ways depending on site conditions:

**METHOD A** - For when installation is on a timber floor and there is enough space in the floor cavity to accommodate the pipe work and shower trap. **METHOD B** - For when installation is on a solid floor.

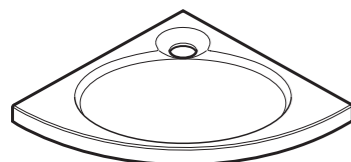
## TRAYS



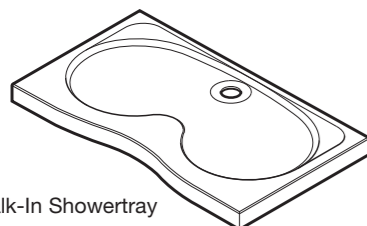
Rectangular Showertray



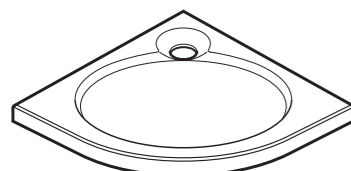
Bow Front Showertray



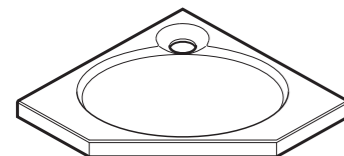
Crescent Showertray



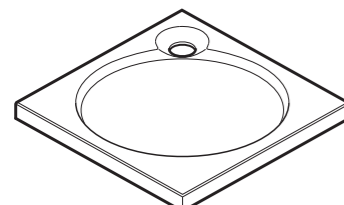
Walk-In Showertray



Quadrant Showertray

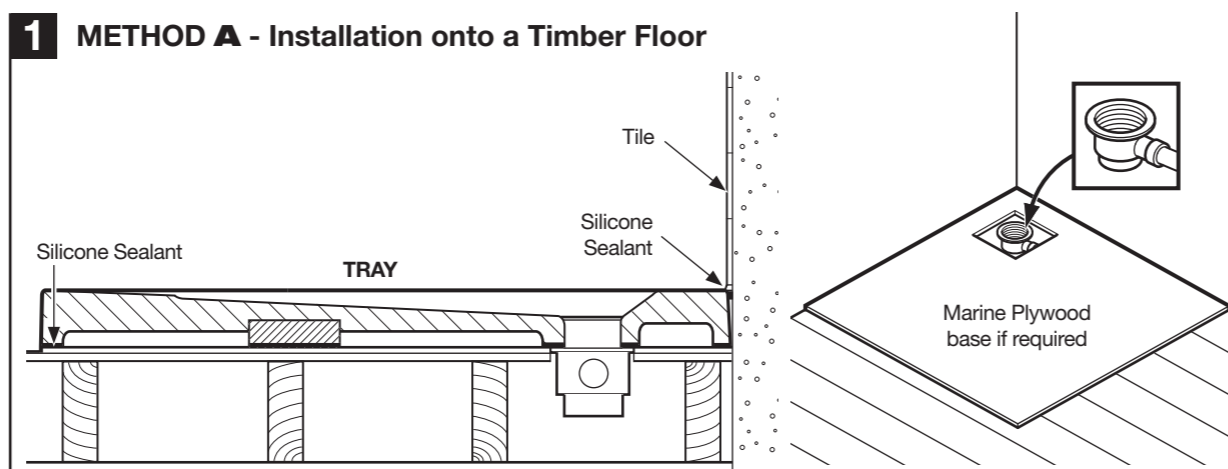


Pentagon Showertray



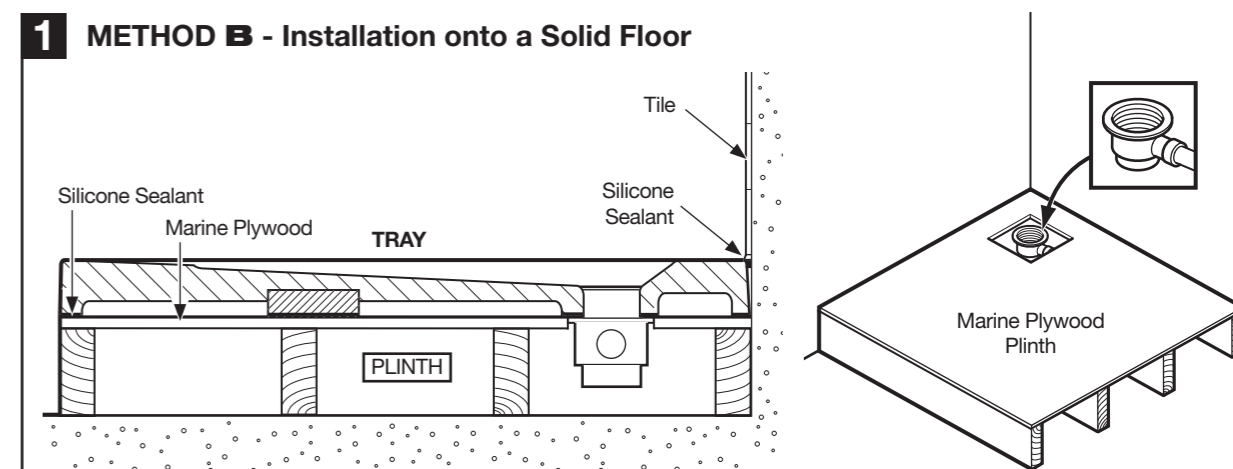
Square Showertray (shown)

## 1 METHOD A - Installation onto a Timber Floor



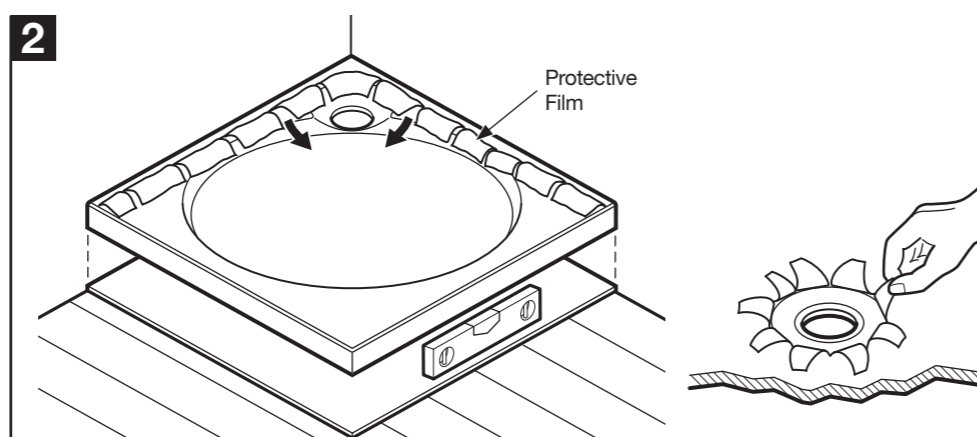
**METHOD A** - If the floor is **NOT** level use a piece of 19mm thick marine plywood for the appropriate size of tray. Level the board ensuring that it is fully supported and firmly fixed to the floor with a suitable size hole for the shower trap. Install the trap and pipe work and test for leaks.

## 1 METHOD B - Installation onto a Solid Floor



**METHOD B** - If the installation is onto a solid floor construct a suitable size plinth allowing enough space underneath for the shower trap and pipe work. Ensure that the plinth is level and fully supported and firmly fixed in place with a suitable size hole for the shower trap. Install the trap and pipe work and test for leaks.

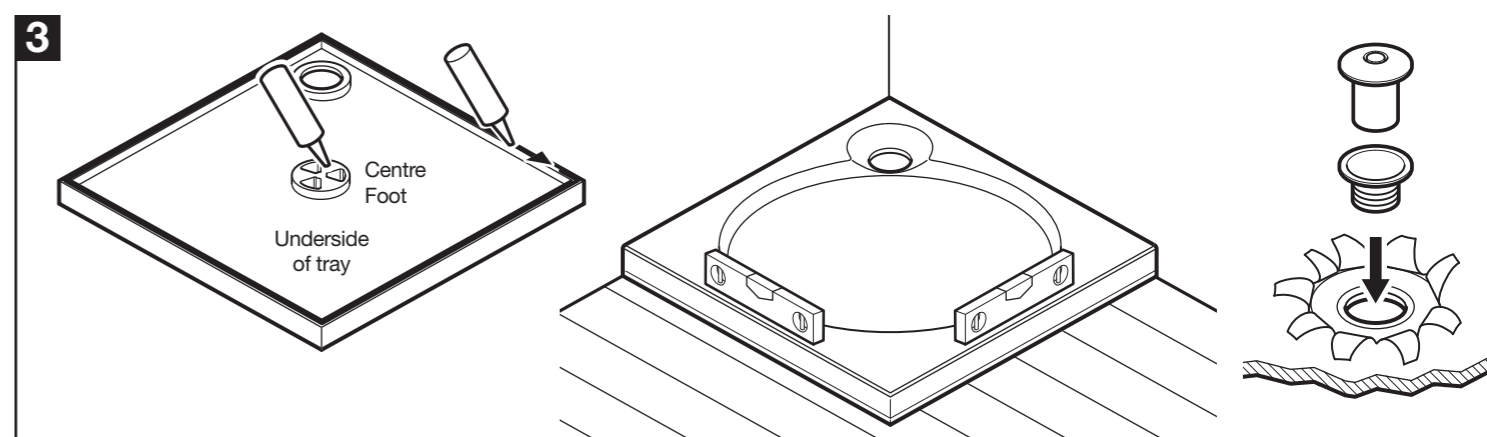
## 2



**METHOD A** - Installation onto a timber floor, shown from now on.

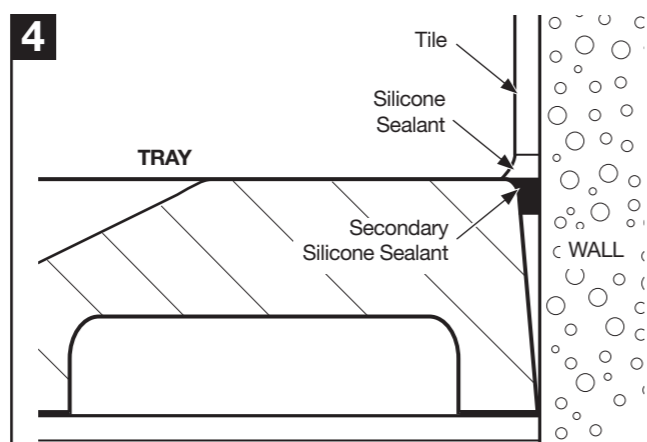
Trial fit the tray in position. Peel back the protective film from waste hole and the wall edges of the tray.

## 3



Turn the tray over and coat the entire rim and centre foot/feet with silicone sealant (**do not use putty, mastic or acrylic sealant, these will damage the surface of the tray**). Press down firmly in place, **making sure the tray is level**. If the tray is not level it will be extremely difficult to properly install the shower enclosure. Connect the top parts of the shower trap through the waste hole in the tray into the lower part ensuring that the washers are correctly in place. (Refer to shower trap manufacture instructions for fitting details).

## 4



Seal the joint between the showertray and the adjoining wall with silicone sealant to provide a secondary seal.

After final checks have been completed, tile down to the rim leaving a 3-4mm gap between the tiles and the rim for sealant. Seal the gap with silicone sealant.

When the final installation of the enclosure is complete, remove the remaining protective film.

## CARE AND MAINTENANCE

**IMPORTANT** You must not use or work on the showertray for 24 hours after installation. **DO NOT** use bleach, scouring powders, solvents or other aggressive cleaning agents. To clean, use warm soapy water and a clean cloth and rinse off.

**CUSTOMER CARELINE 01746 713410**

**A PRODUCT OF THE CORAM GROUP OF COMPANIES**

Coram Showers Ltd. Stanmore Industrial Estate, Bridgnorth, Shropshire WV15 5HP, UK  
www.coram.co.uk