

# STANDARD SHOWERTRAY

850/950 & 950 x 1200 CRESCENT SHOWERTRAY

Please read these instructions carefully and keep for future reference. Incorrect fitting will invalidate the guarantee.

**SAFETY**

- Make sure there are no hidden pipes or cables in the floor or walls where you intend to drill.
- Wear safety goggles, shoes and appropriate clothing.



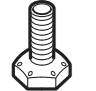

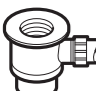
**EQUIPMENT NEEDED**

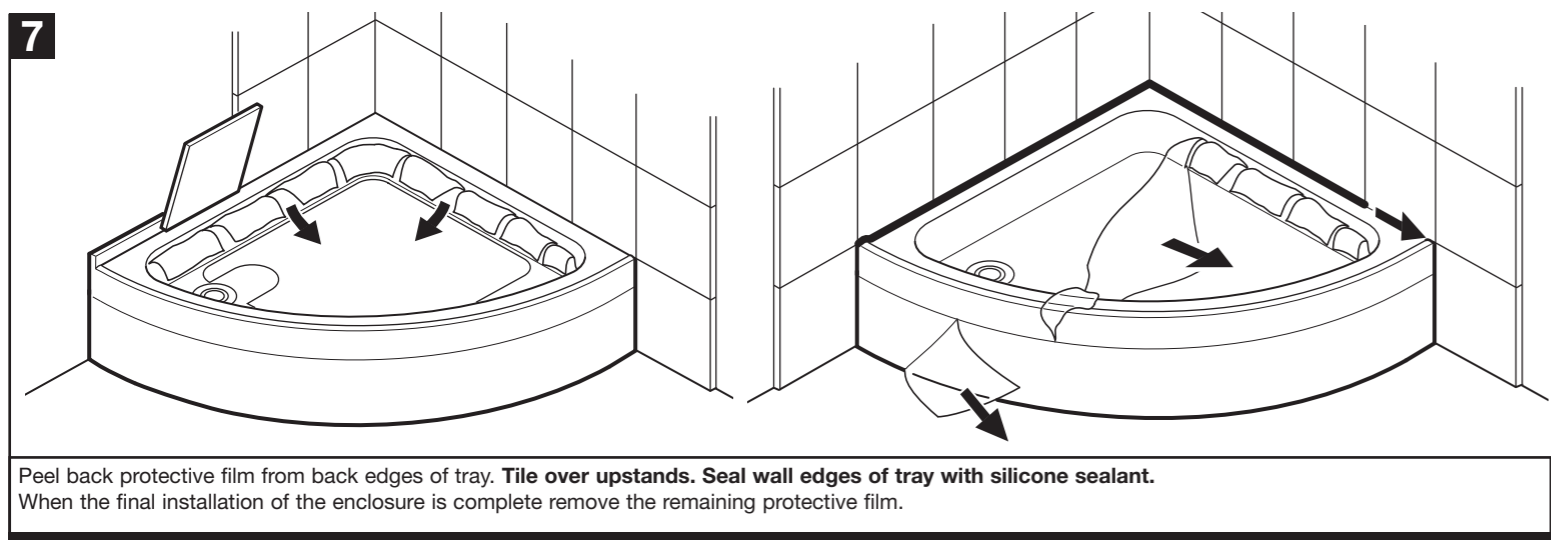
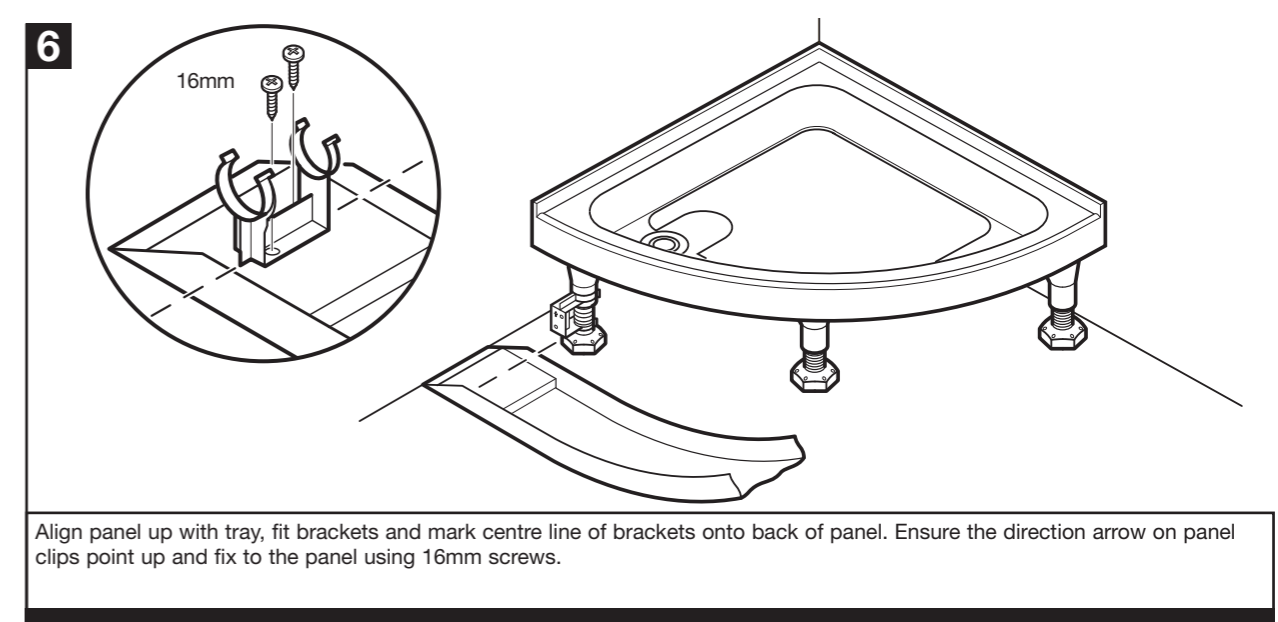
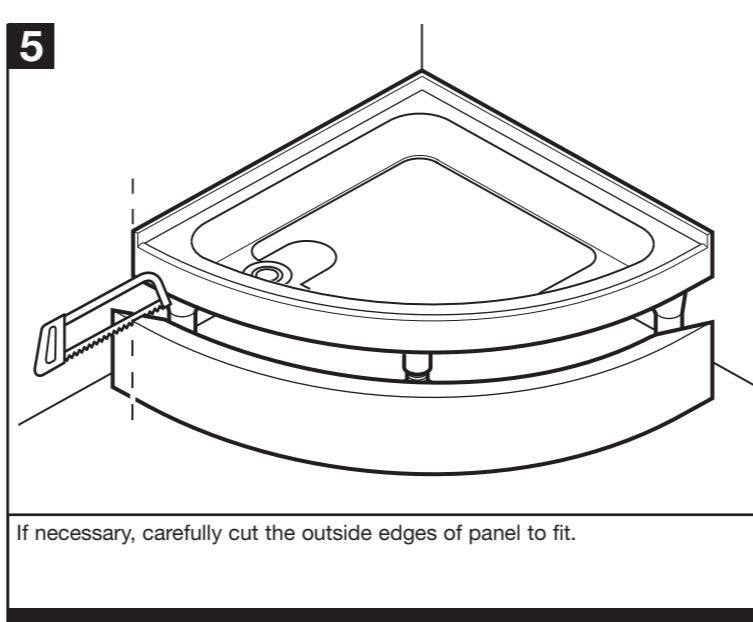
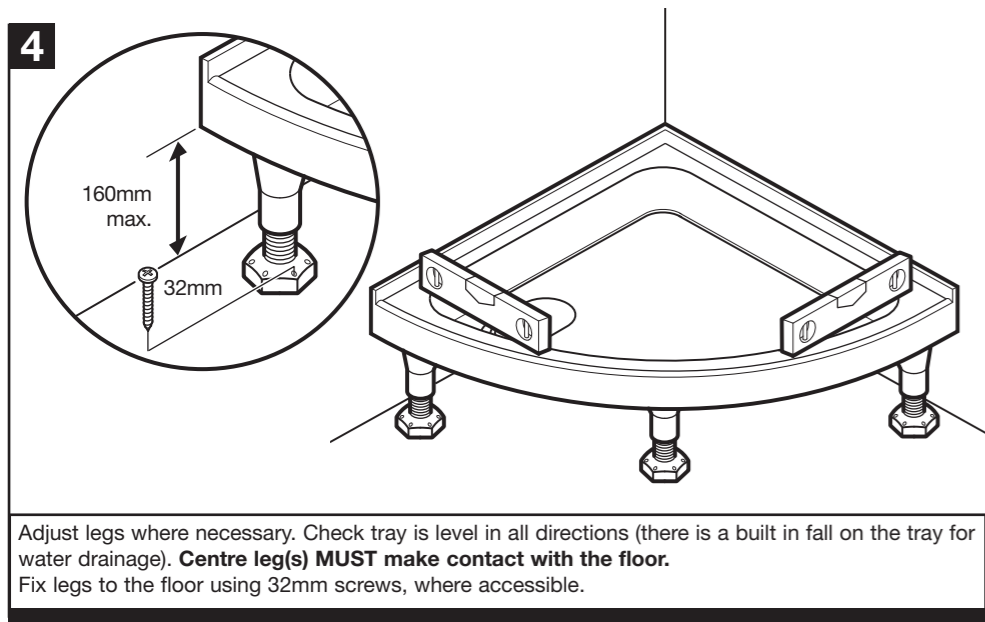
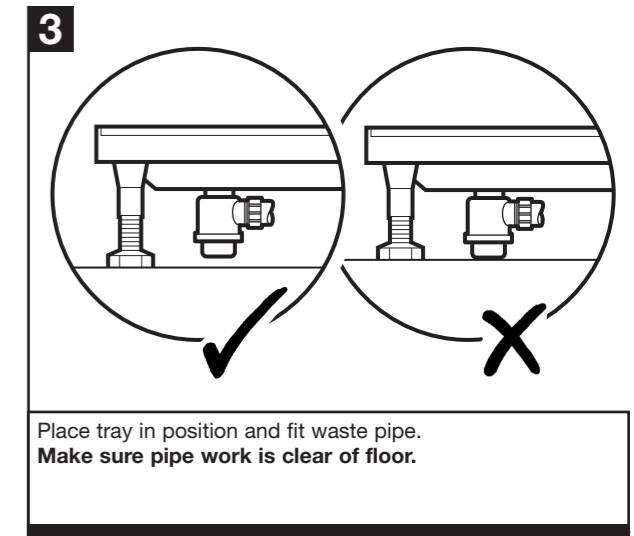
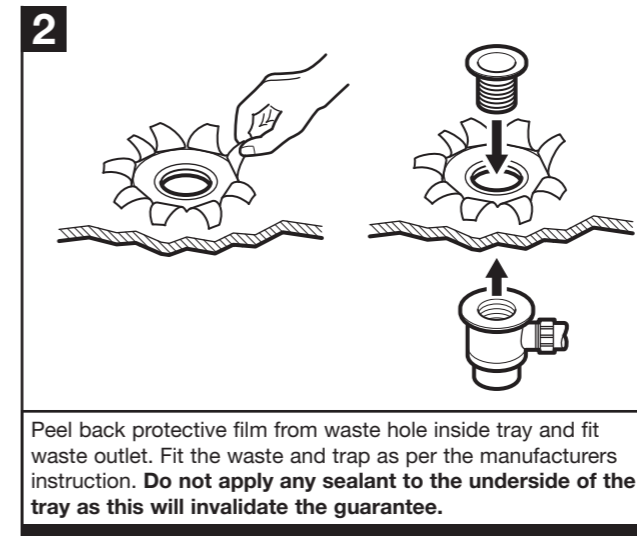
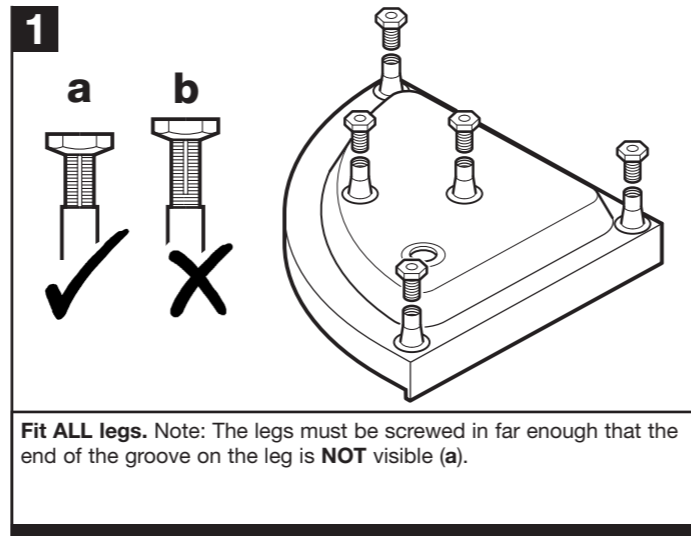
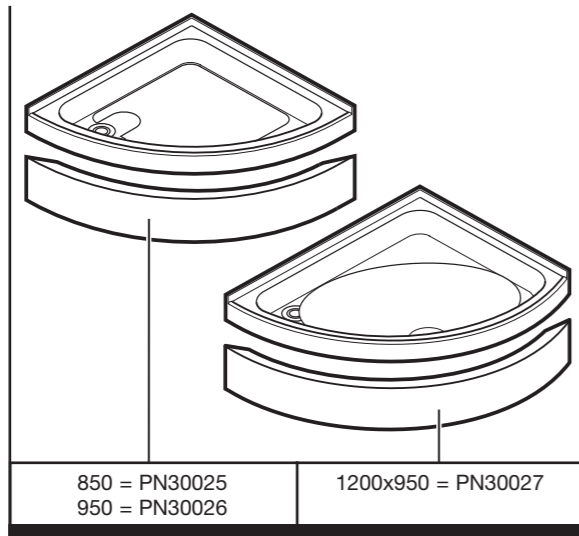
Crosshead Screwdriver, Spirit Level, Pencil, Fine Tooth Saw, Ruler, Masking Tape, Silicone Sealant, Methylated Spirit.

- Once fitted the showertray must be tiled in place.
- **Putty, mastics or acrylic sealant will damage the surface of the showertray. Only use silicone sealant.**
- Areas requiring silicone sealant should be cleaned with methylated spirit first.

Check contents of pack before installation.

If there is anything missing, contact our Customer Careline for assistance : +44 (0) 1746 713410

	PN60138	4	
	16mm PN60139	4	
	32mm PN50193	5	850/ 950
	PN50196	8	1200x 950
	PN60171	2	
		1	



**IMPORTANT**  
 You must not use or work on the showertray for 24 hours after installation.  
**DO NOT** use bleach, scouring powders, solvents or other aggressive cleaning agents. To clean, use warm soapy water and a clean cloth and rinse off.  
**NOTE:** The tray should be inspected six months after installation, check for any floor movement. If necessary adjust all the legs to ensure they are resting on the floor.

**CUSTOMER CARELINE +44 (0) 1746 713410**

**A PRODUCT OF THE CORAM GROUP OF COMPANIES**  
 Coram Showers Ltd. Stanmore Industrial Estate, Bridgnorth, Shropshire WV15 5HP, UK  
[www.coram.co.uk](http://www.coram.co.uk)