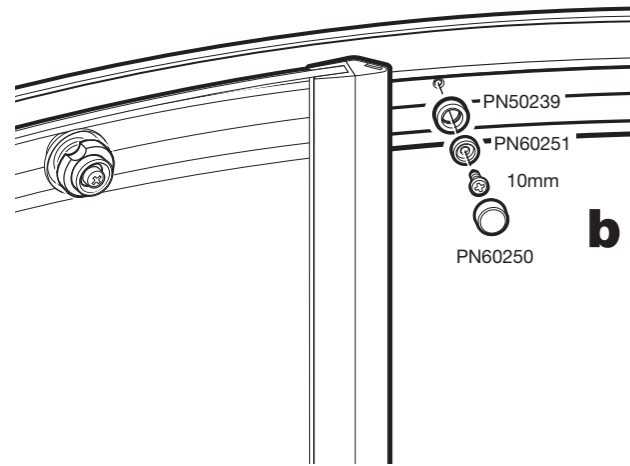
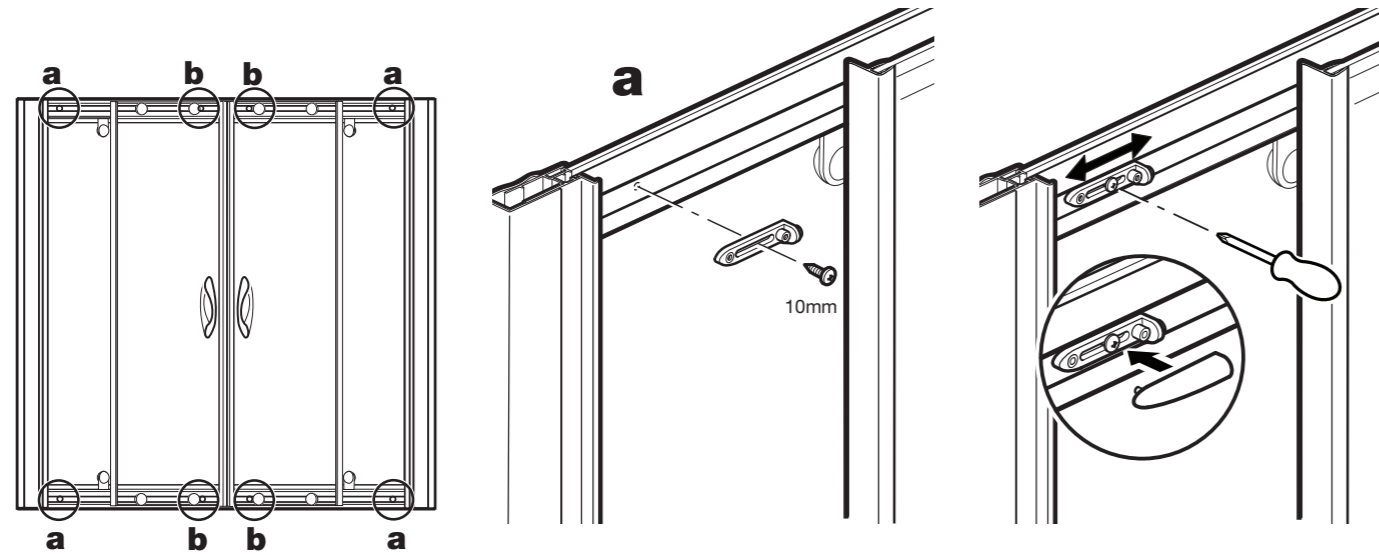


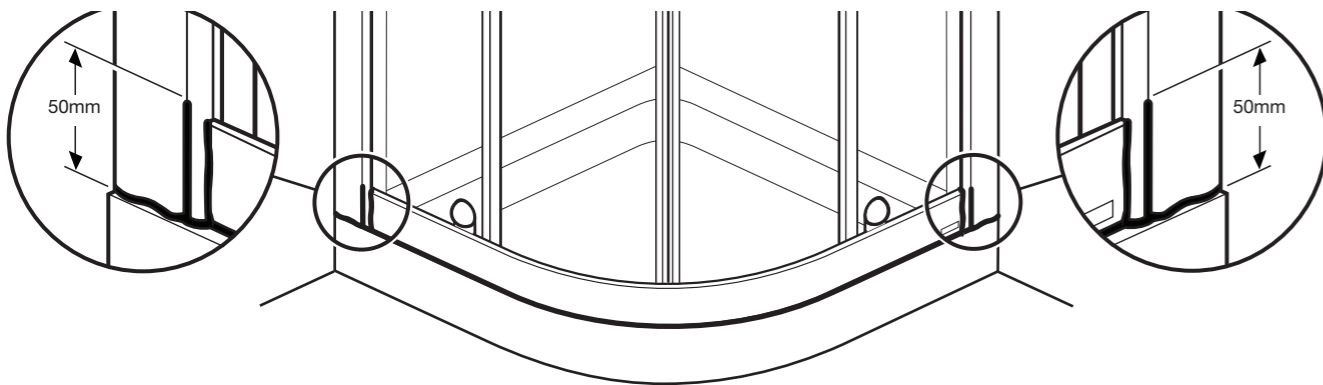
12



a: Fix the end door stops to the top and bottom rails where shown using 10mm screws. Adjust the stops so they both hit the wheels and sliders at the same time. Push-fit the door stop covers.

b: Fix the middle door stop parts to the top and bottom rails where shown using 10mm screws. Push-fit the covers.

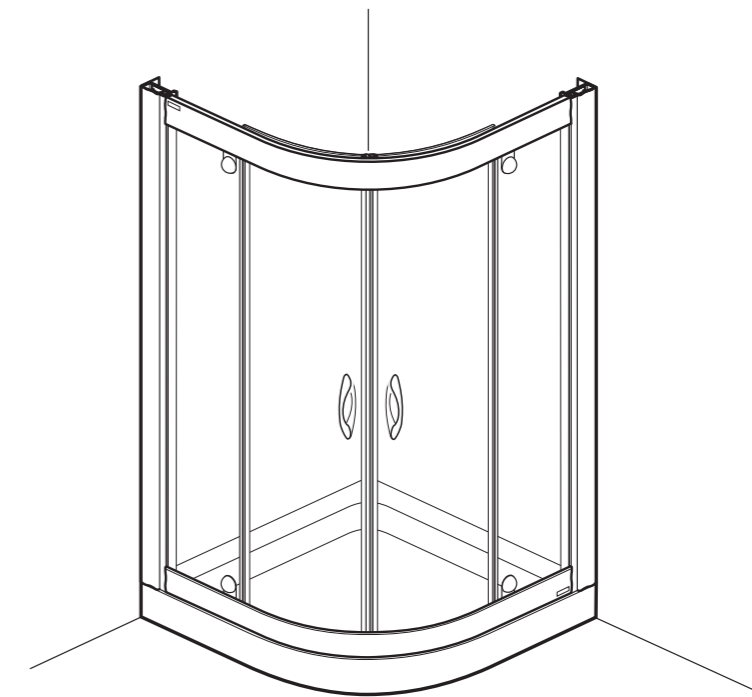
13



Remove the protective film from the rails.
From the outside only, apply sealant to the bottom of the enclosure and 50mm up the wall channels and vertical joints as shown.

IMPORTANT: You must not use the shower for 24 hours after installation of the enclosure.
DO NOT use bleach, scouring powders, solvents or other aggressive cleaning agents. To clean, use warm soapy water and a clean cloth and rinse off.

QUADRANT SHOWER ENCLOSURE



*Please read these instructions carefully and keep for future reference.
 Incorrect fitting will invalidate the guarantee.*

⚠ SAFETY

- Handle glass with great care. Although the glass is very tough, sharp impacts can damage both the glass and metal frame.
- Make sure there are no hidden pipes or cables hidden in the wall where you intend to drill.
- Wear safety goggles, shoes and appropriate clothing.

⚠ BEFORE INSTALLATION

- Check that the shower tray is level in all directions. The enclosure will not sit correctly on an uneven surface. If uneven, the wall channels may not fit and the doors may not shut correctly.
- The enclosure should be fitted on tiled walls which are sealed with waterproof grout.
- There must be a good silicone seal between the rim of the shower tray and the wall.
- The shower tray and the enclosure must match in size. Attempting to fit the incorrect size of enclosure to the shower tray will result in water leaks.
- Always check very carefully that components are vertical.
- To avoid damage, use the opened out packaging to build the enclosure on.
- Two people are needed to carry out parts of the procedure.

Equipment needed:

Drill, 6.5mm Masonry Bit, 4.5mm & 3mm Metal Bits (general), Crosshead Screwdriver, Large Flatblade Screwdriver, Spirit Level, Pencil, Silicone Sealant, Tape Measure, Masking Tape.

Note: The screws and wall plugs supplied are for masonry walls. For lightweight walls i.e. stud partition, plasterboard etc, use the correct type of fixings.

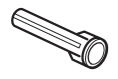



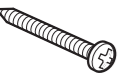








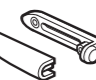
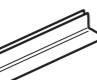
A PRODUCT OF THE CORAM GROUP OF COMPANIES

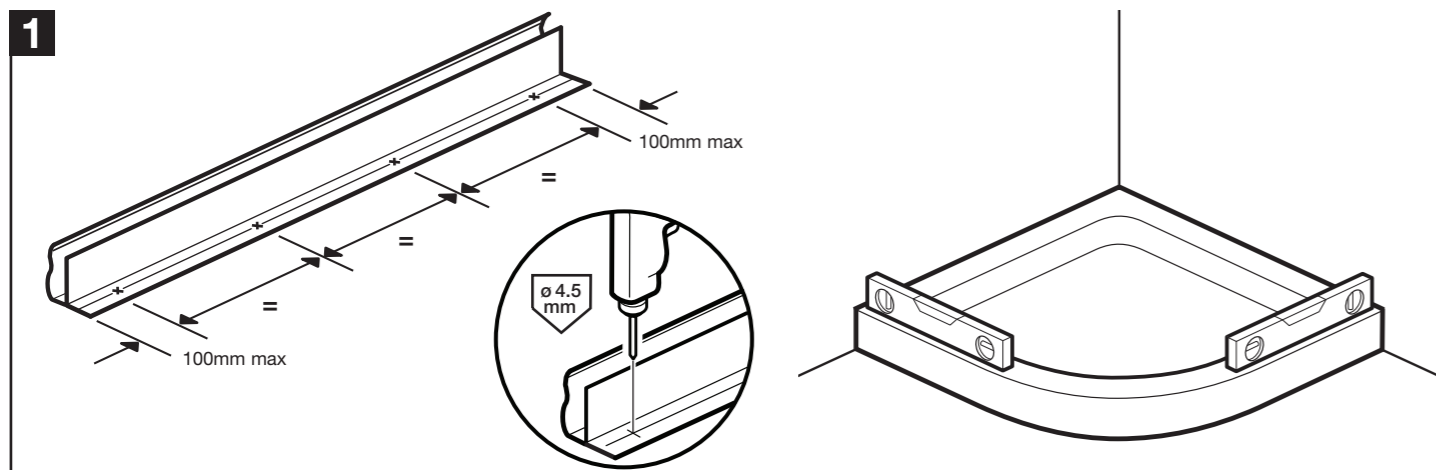
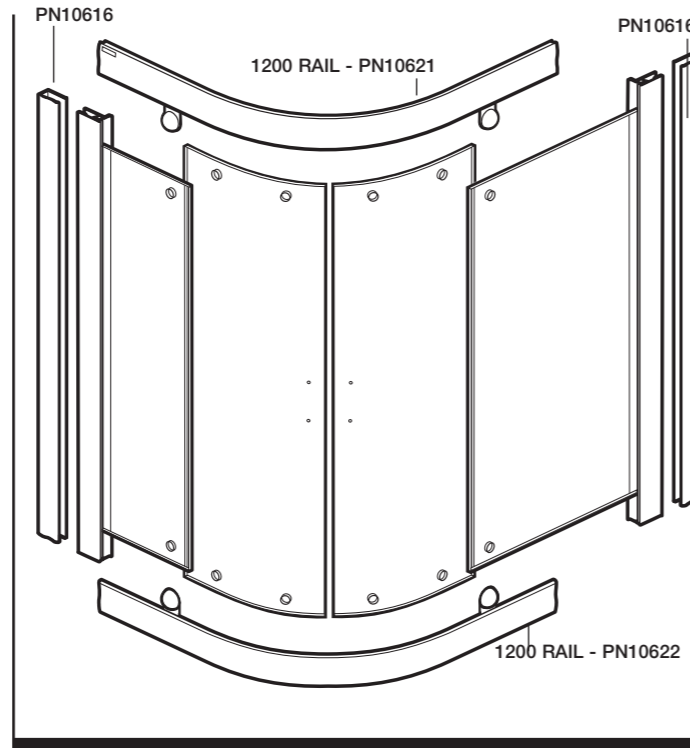
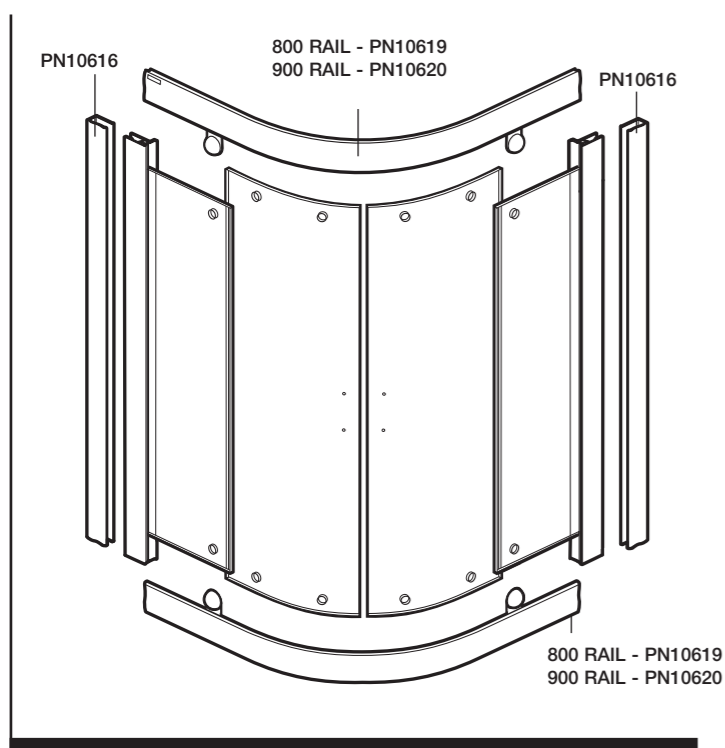
Coram Showers Ltd. Stanmore Industrial Estate, Bridgnorth, Shropshire WV15 5HP, UK • Tel: 01746 766466 • Fax: 01746 764140
 www.coram.co.uk

CUSTOMER CARELINE +44 (0) 1746 713410

Check contents of pack before installation. If there is anything missing, contact our Customer Careline for assistance.
Note: The screw pack may contain extra coloured mouldings, please select the appropriate colour to match the frame finish.

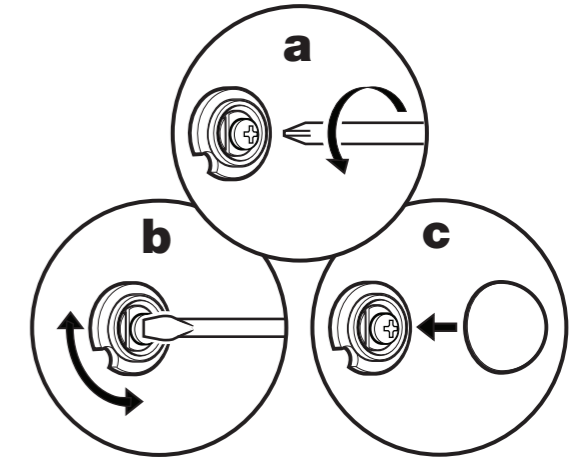
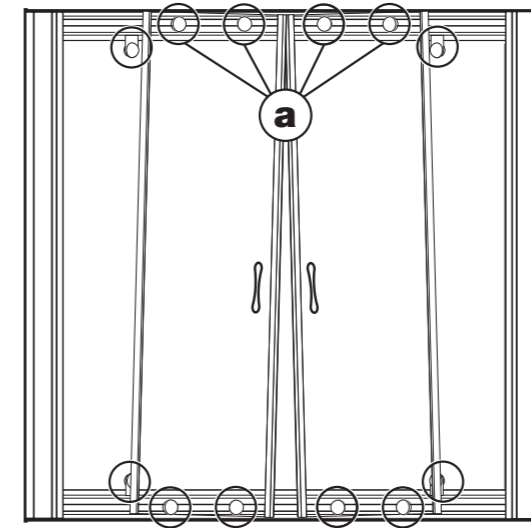
CUSTOMER CARELINE: +44 (0) 1746 713410

	PN3230	8		PN50102	4		PN50239	4		PN60058	1
	PN3225	16		PN50103	12		PN60251	4/4		PN60162	1
	PN3222	14		PN4748	14		PN40134		2		PN 6022002
	PN60017	4		PN80137	4/4		PN40144	4	HANDLES SUPPLIED IN DOOR PACK B		



Drill holes in both wall channels at points shown using a 4.5mm drill bit, where shown.
 Ensure the shower tray is level in all directions.

9



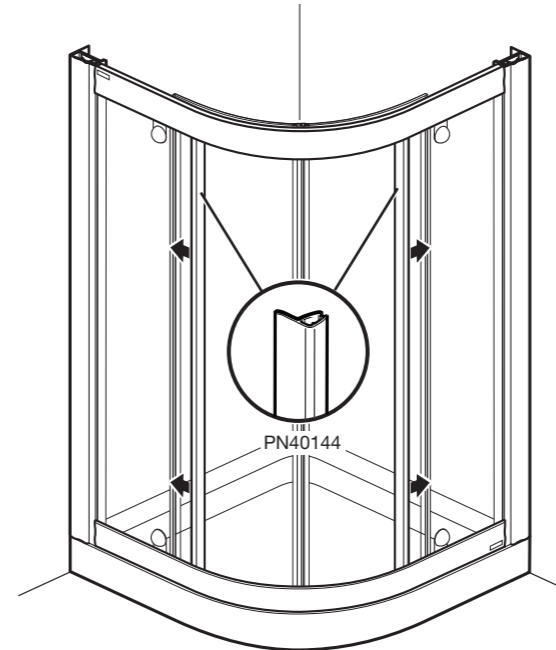
Adjust the doors at the top (if necessary) so they slide freely and the magnetic seals meet when closed.

a: Loosen the screw (1 turn maximum).

b: Turn the slot until the door hangs vertically. Re-tighten the screws - **do not over tighten.**

c: Push-fit all 12 covers onto the doors and fixed panels, the chrome covers only fit onto the fixed panel brackets.

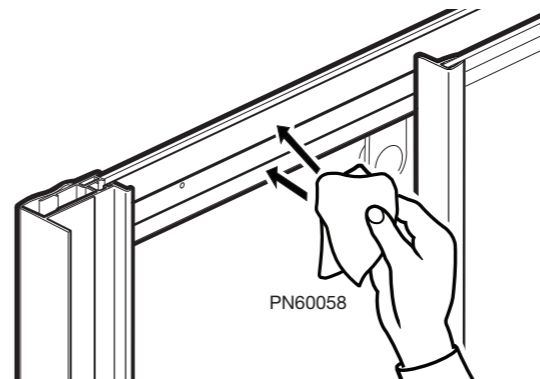
10



Trim the seals (PN40144) to the FULL length of the fixed glass panels.

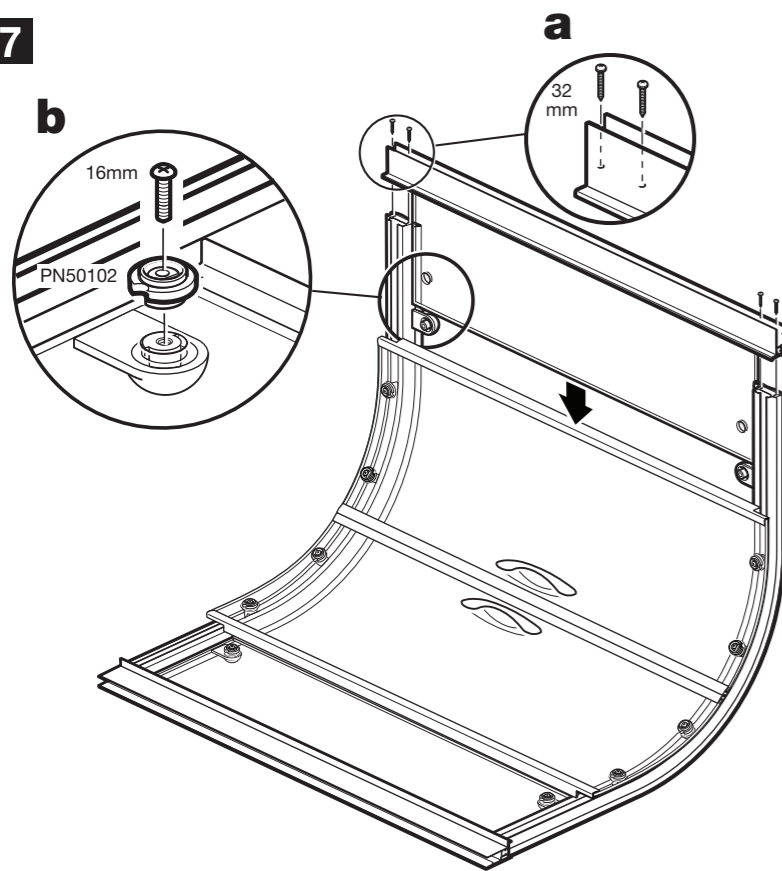
Push-fit the seals onto the edge of the fixed panels with the flap on the inside, re-trim if necessary.

11



Lubricate the inner top and bottom rails using the wipe provided.

7

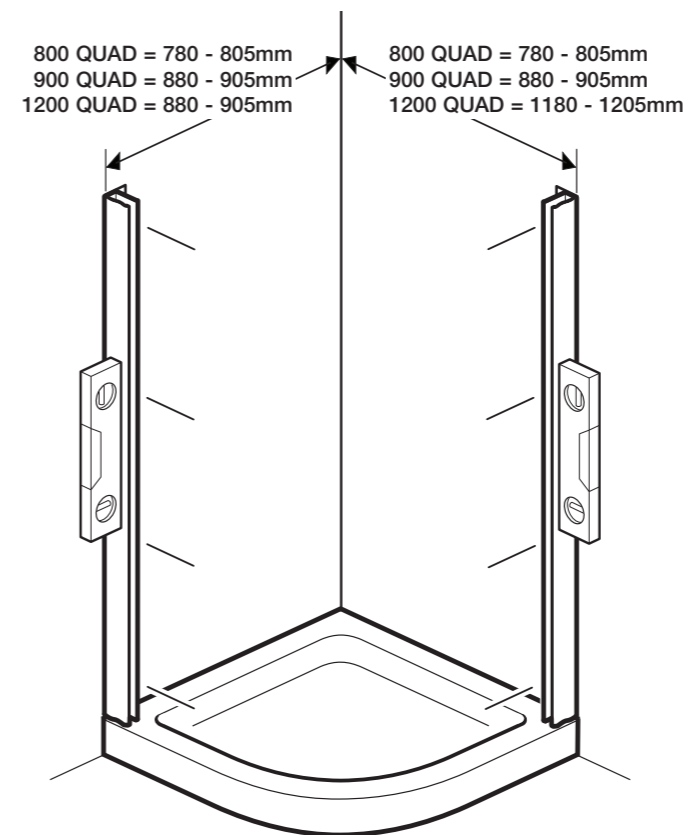


a: Position the remaining fixed panel on the rails. Align the brackets on the rails with the holes in the fixed panel ensuring the horizontal seals on the rails are not twisted.

Fix at the corners using 32mm screws, **do not over tighten.**

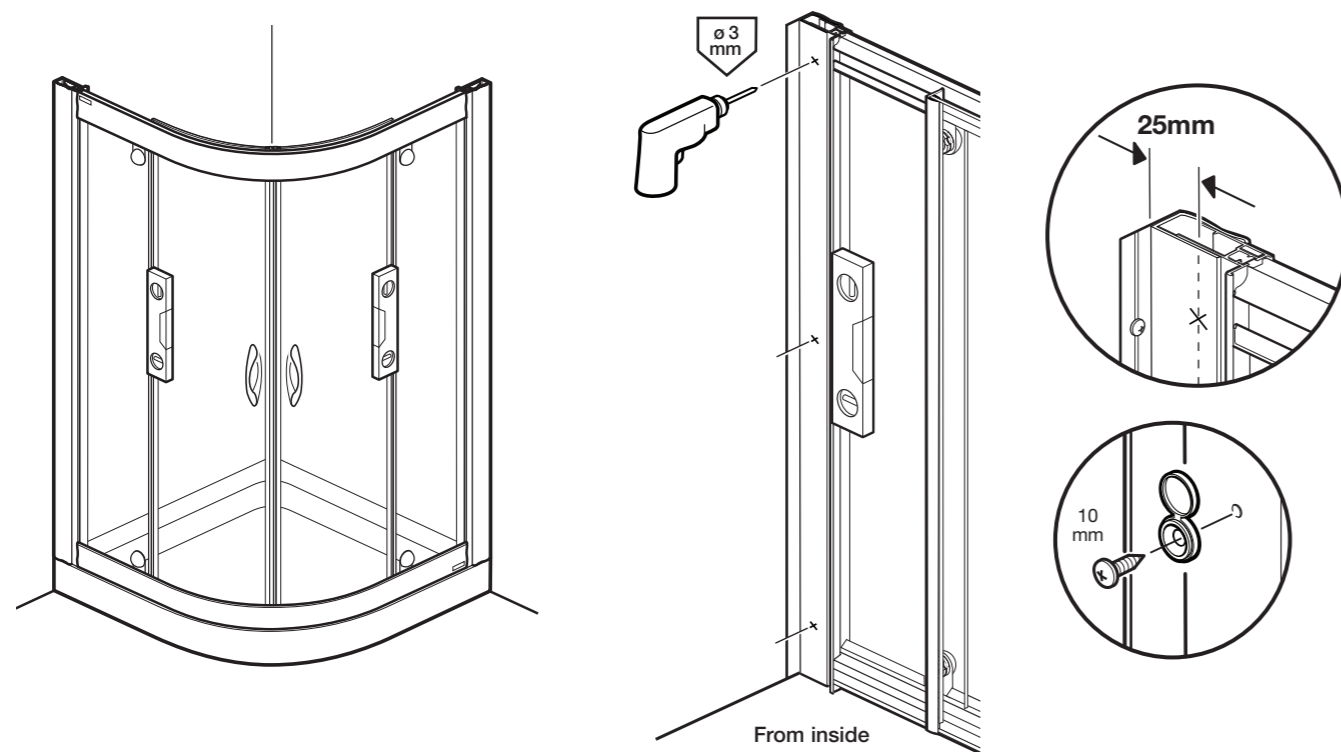
b: If necessary move the rail brackets so they line up with the holes in the glass. Place door runner mouldings (PN50102) onto the rail brackets and fix using 16mm screws, **do not over tighten.**

2



Place the wall channels on the tray as shown (to fit within the dimensions above), ensuring they are vertical. Place masking tape against the wall before marking the drill hole positions, this will prevent the drill bit slipping. Drill 6.5mm holes - 30mm deep and insert the wall plugs.

8



With help stand the enclosure upright and slot into the wall channels. **Ensure the runner wheels are in the top rail.**

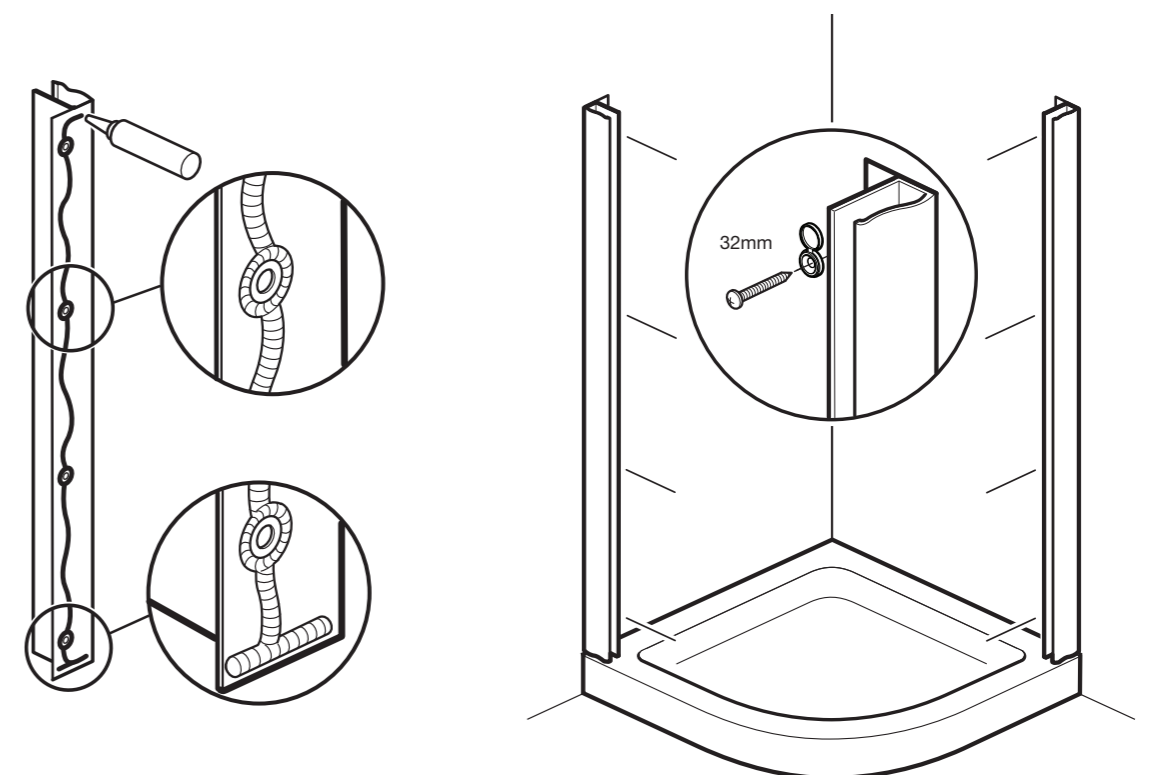
Check the enclosure is vertical and sits evenly on the tray and centrally within the wall channels.

From inside the enclosure drill through the wall channels into the frame using 3mm drill bit, **not too deep!**

IMPORTANT: Drill the holes 25mm in from the corner of the wall channels **NOT** in-between the grooves.

Fix using 10mm screws and screw caps.

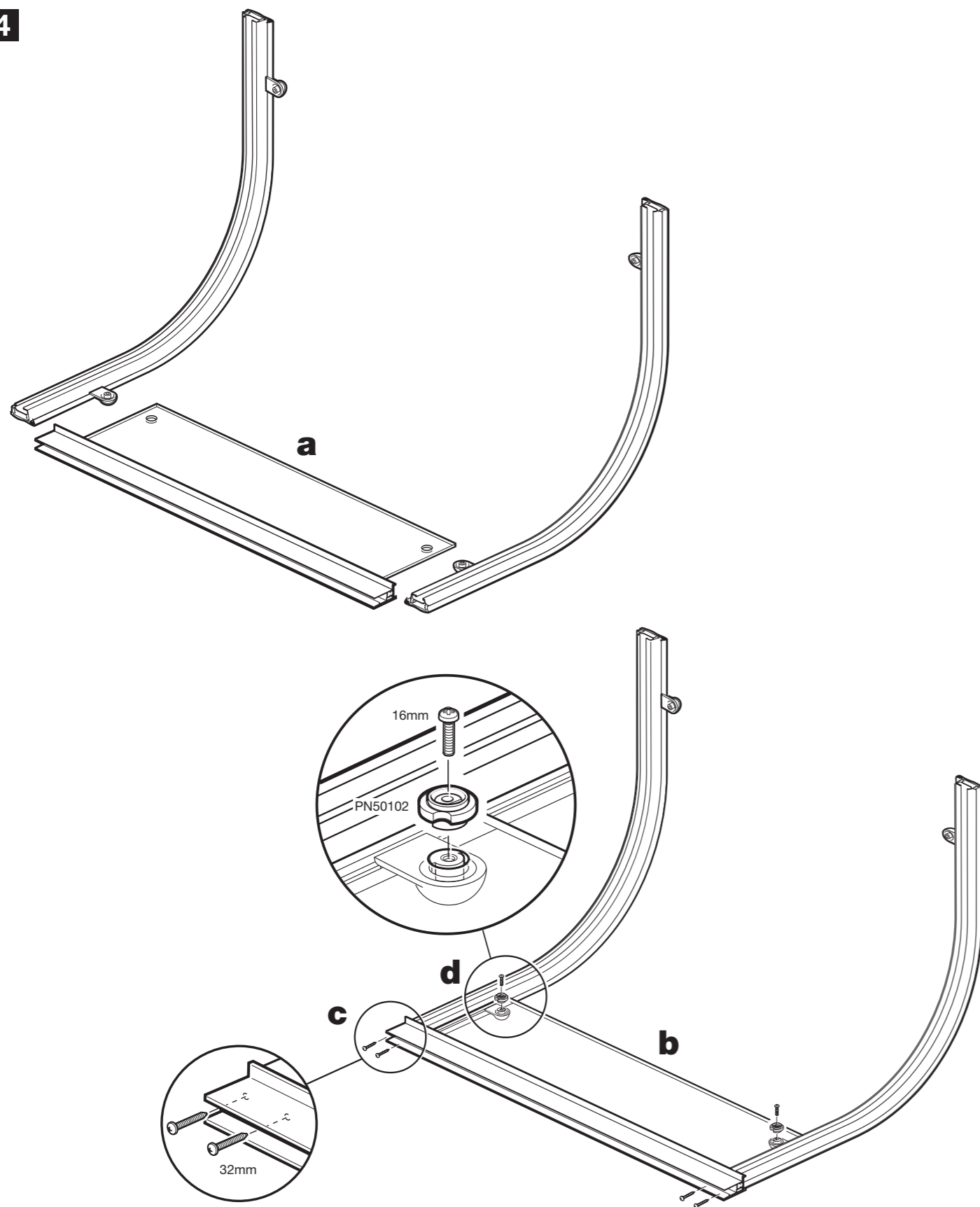
3



Apply silicone sealant to the back of the wall channels as shown.

Fix the wall channels to the walls using 32mm screws and screw caps.

4



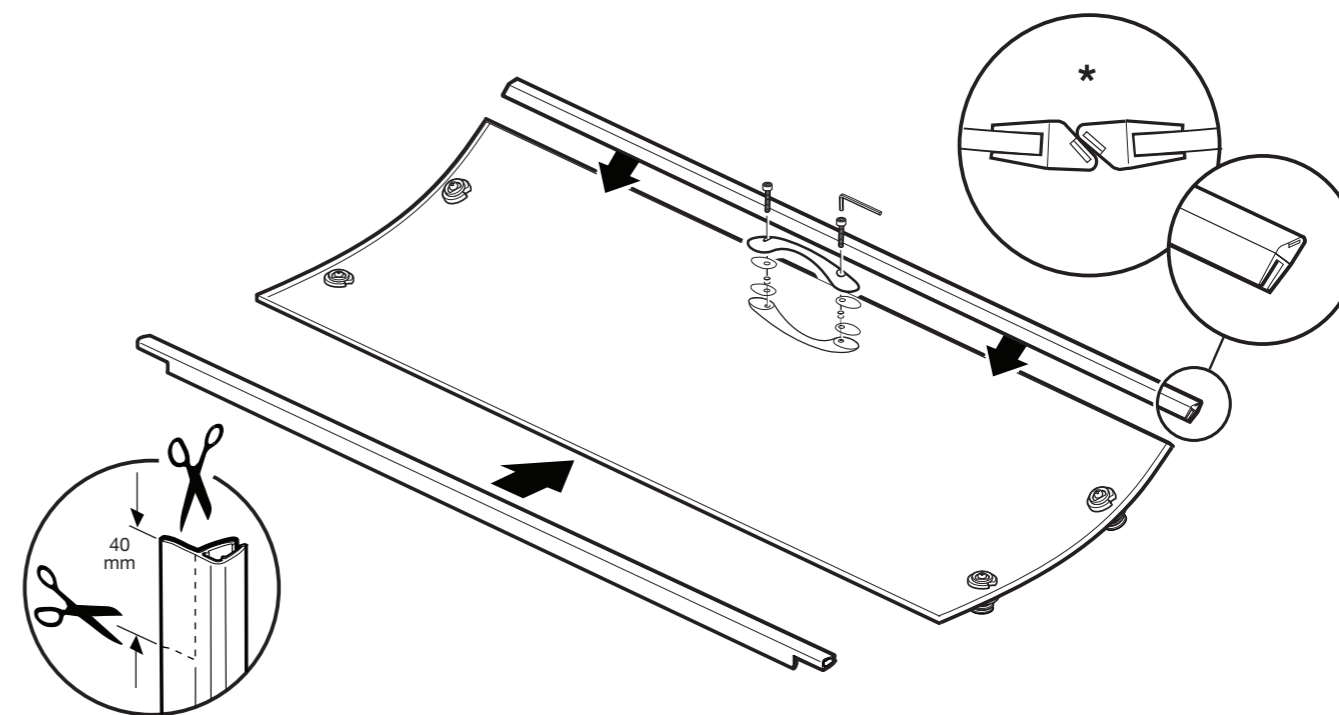
a: Place the top and bottom rails against the fixed panel, check the factory fitted seals are flush at the end of the rails.

b: Position the top and bottom rails under and against the fixed panel. Align the brackets on the rails with the holes in the fixed panel ensuring the horizontal seals on the rails are not twisted.

c: Fix at the corners using 32mm screws, **do not over tighten.**

d: If necessary move the rail brackets so they line up with the holes in the glass. Place door runner mouldings (PN50102) onto the rail brackets and fix using **16mm screws, do not over tighten.**

5



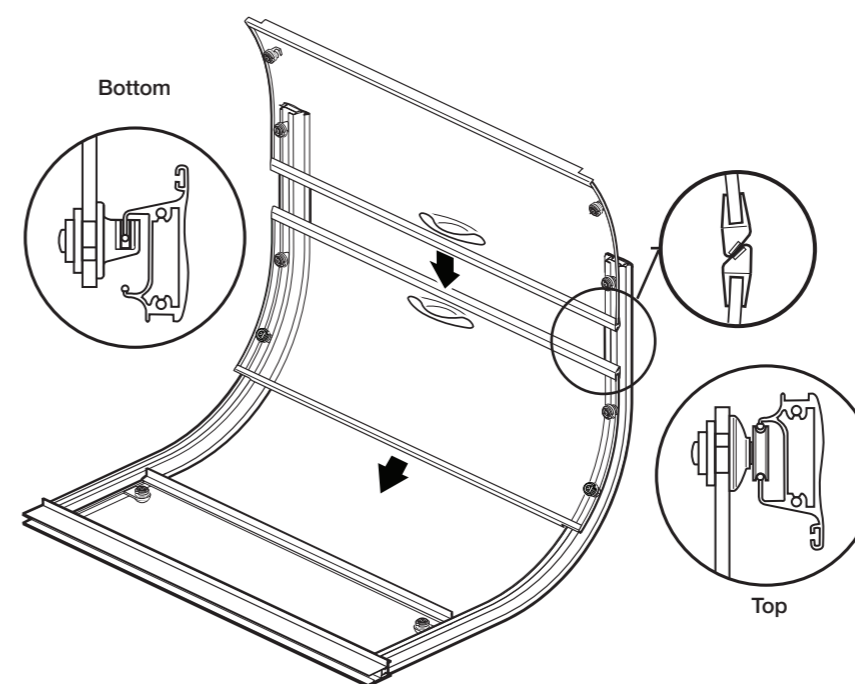
Trim the seal to the length of the glass. Cut 40mm off of the seal flap at the top and bottom and push-fit onto the edge of the door with the flap on the outside.

Fit the door handles with the allen bolts on the inside of the door, ensuring the washers are placed between the handles and the glass door. **Do not over tighten.**

Push-fit the magnetic seal to the handle side of the door.

Repeat with other door, ensure magnetic seals meet as shown (*).

6



This stage must be done with two people to avoid damaging the runners and rails.

Slide the first door onto the rails, door seal end first. Make sure the runner wheels and glides are correctly located in the rails as shown.

Slide next door onto the rails and ensure magnetic seals meet as shown.