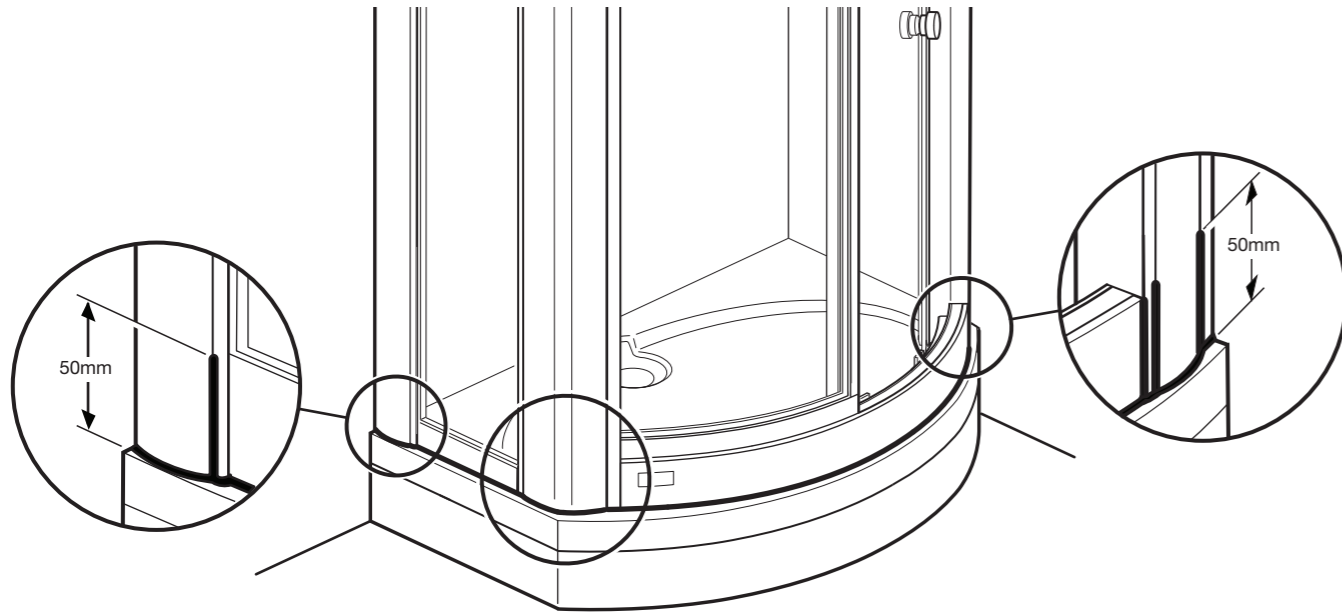


6

Now follow steps 7 - 13 of the 'Optima Bow Front Door' instruction - to prepare, hang and adjust the door.

7



Remove the protective film from the rails.

From the outside only, apply sealant to the bottom of the enclosure and 50mm up the wall channels, corner post, angled profile and vertical joints as shown.

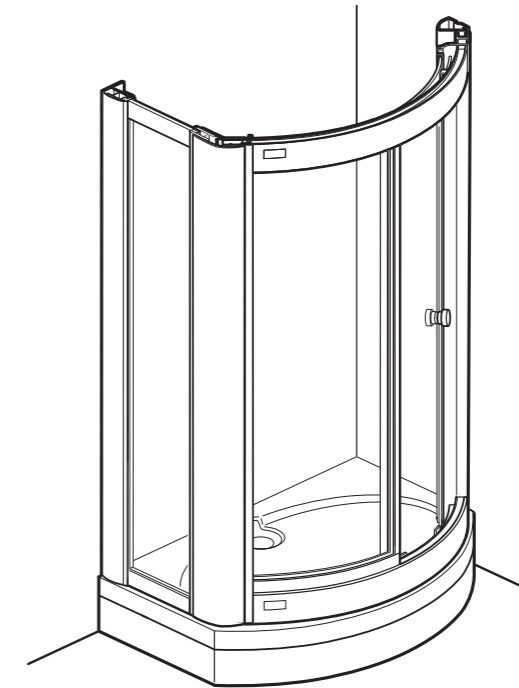
CARE AND MAINTENANCE

IMPORTANT: You must not use the shower for 24 hours after installation of the enclosure.

DO NOT use bleach, scouring powders, solvents or other aggressive cleaning agents. To clean, use warm soapy water and a clean cloth and rinse off.

Periodically check all fixings and fittings and tighten if necessary.

OPTIMA BOW FRONT SIDE PANEL



*Please read these instructions carefully and keep for future reference.
Incorrect fitting will invalidate the guarantee.*

SAFETY

- Handle glass with great care. Although the glass is very tough, sharp impacts can damage both the glass and metal frame.
- Make sure there are no hidden pipes or cables hidden in the wall where you intend to drill.
- Wear safety goggles, shoes and appropriate clothing.

BEFORE INSTALLATION

This instruction leaflet must be used in conjunction with the instruction supplied with your shower door.

- Two people are needed to carry out parts of the procedure.
- Check that the shower tray is level in all directions. The enclosure will not sit correctly on an uneven surface. If uneven, the wall channels may not fit and the doors may not shut correctly.
- The enclosure should be fitted on tiled walls which are sealed with waterproof grout. There must be a good silicone seal between the rim of the shower tray and the wall.
- This product is designed to be fitted to a Bow Front Crescent tray only.
- Always check very carefully that components are vertical.
- To avoid damage, use the opened out packaging to build the enclosure on.

Equipment needed:

Drill, 6.5mm Masonry Bit, 4.5mm & 3mm Metal Bits (general), Crosshead Screwdriver, Large Flatblade Screwdriver, Spirit Level, Scissors, Pencil, Silicone Sealant, Tape Measure, Masking Tape.

Note: The screws and wall plugs supplied are for masonry walls. For lightweight walls i.e. stud partition, plasterboard etc, use the correct type of fixings.

A PRODUCT OF THE CORAM GROUP OF COMPANIES

Coram Showers Ltd. Stanmore Industrial Estate, Bridgnorth, Shropshire WV15 5HP, UK • Tel: 01746 766466 • Fax: 01746 764140

www.coram.co.uk

CUSTOMER CARELINE: 01746 713410

Check the contents of the pack before installation.

If there is anything missing, contact our Customer Careline for assistance.

CUSTOMER CARELINE: 01746 713410

PN3222



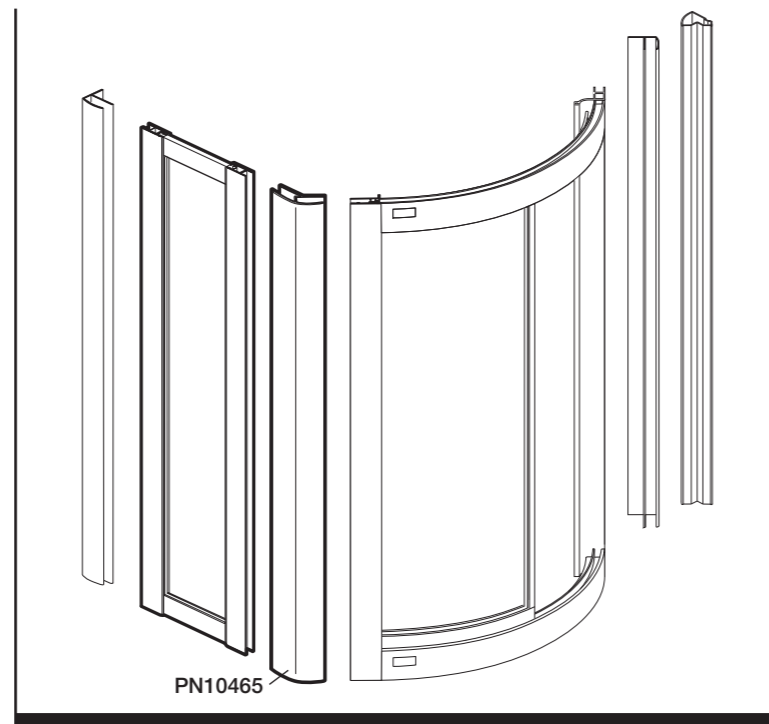
6

10mm

PN4748



6

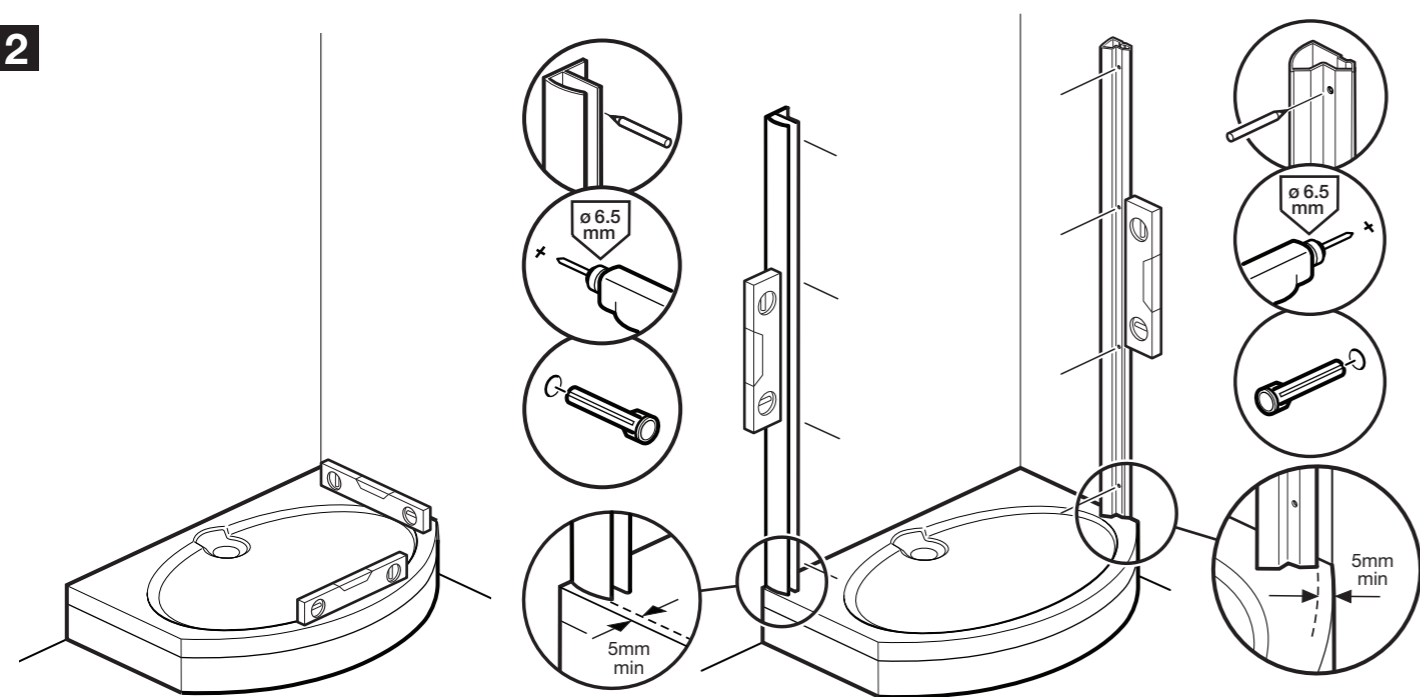


1

Follow step 1 of the 'Optima Bow Front Door' instruction - but only use 1 angled profile, the remaining angled profile is not used.

IMPORTANT: Ensure the wall channel you use as a template is the same one that fixes to the angled profile in step 3.

2

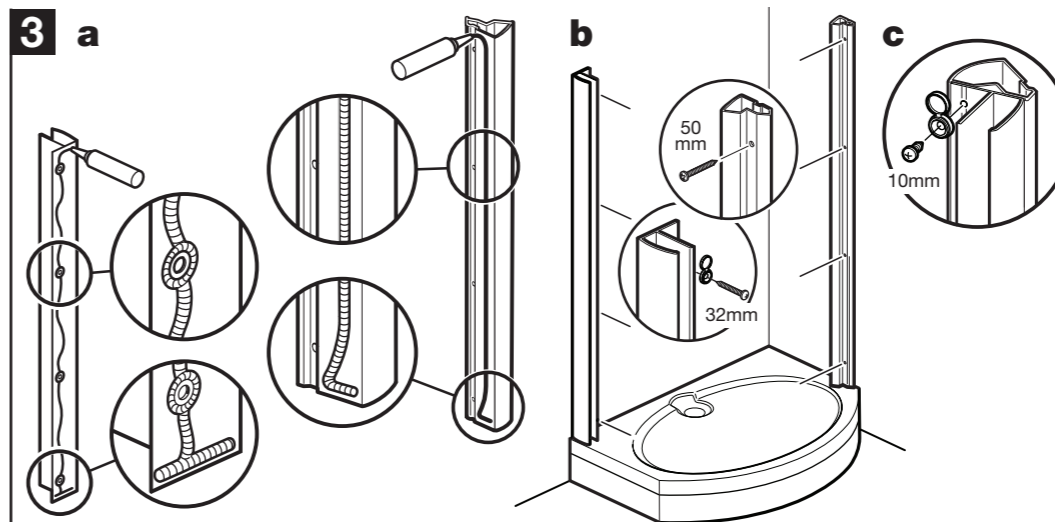


Ensure the shower tray is level in all directions.

Place the angled profile on the short side of the tray and the wall channel on the long side as shown. Ensure they are vertical and a minimum of 5mm back from the edge of the tray.

Place masking tape against the wall before marking the drill hole positions. This will prevent the drill bit slipping. Drill 6.5mm holes 30mm deep and insert the wall plugs.

3

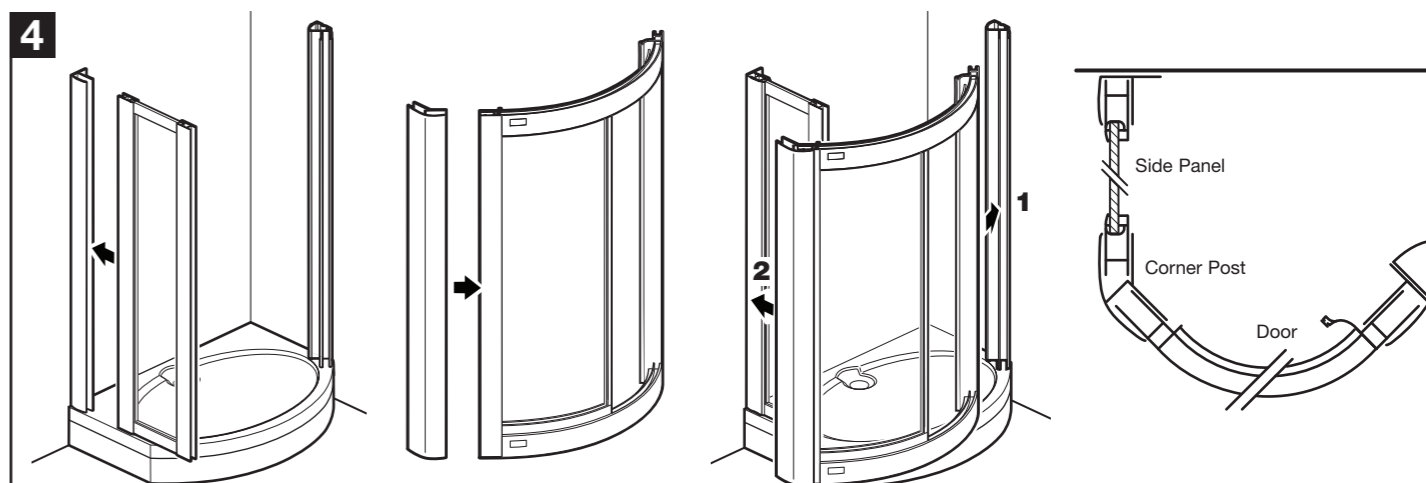


a: Apply silicone sealant to the back of both wall channels and the angled profile.

b: Fix the first wall channel to the wall using 32mm and screw caps. Fix the angled profile to the wall using 50mm screws.

c: Attach the remaining wall channel to the angled profile using 10mm screws and screw caps.

4



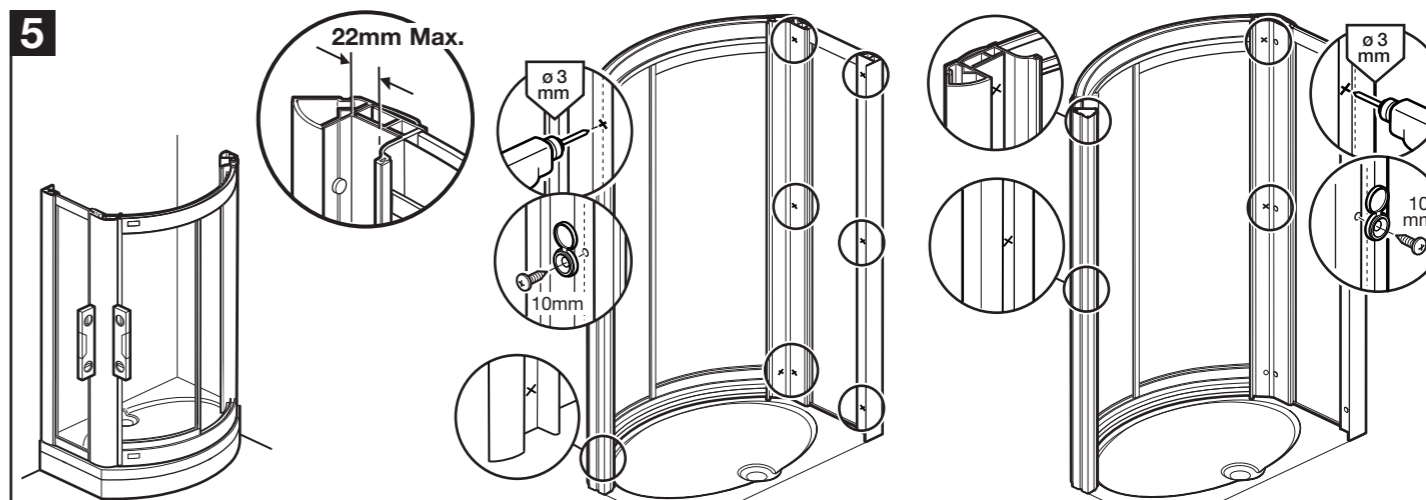
Insert the side panel into the wall channel. **IMPORTANT:** The side panel **MUST** be fitted as shown above.

Decide on the opening side for the door, turn the door over if necessary.

Fit the corner post onto the door. **IMPORTANT:** The corner post **MUST** fit as shown above in the plan view.

Insert the door into the wall channel (1) and the corner post onto the side panel (2).

5



Check the enclosure is vertical and sits evenly on the tray (see the Door instruction).

From inside the enclosure drill through the inside of the wall channels and corner post using a 3mm drill bit where shown and in the order shown.

IMPORTANT: Drill the holes 22mm in from the edge of the wall channels **NOT** in between the grooves.

DO NOT drill too deep. Fix using 10mm screws and screw caps.