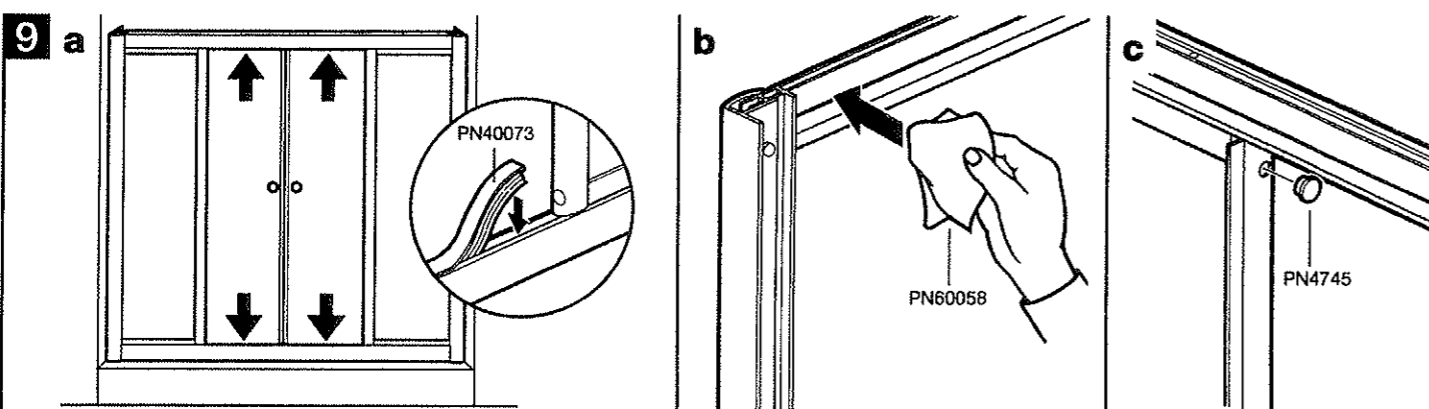
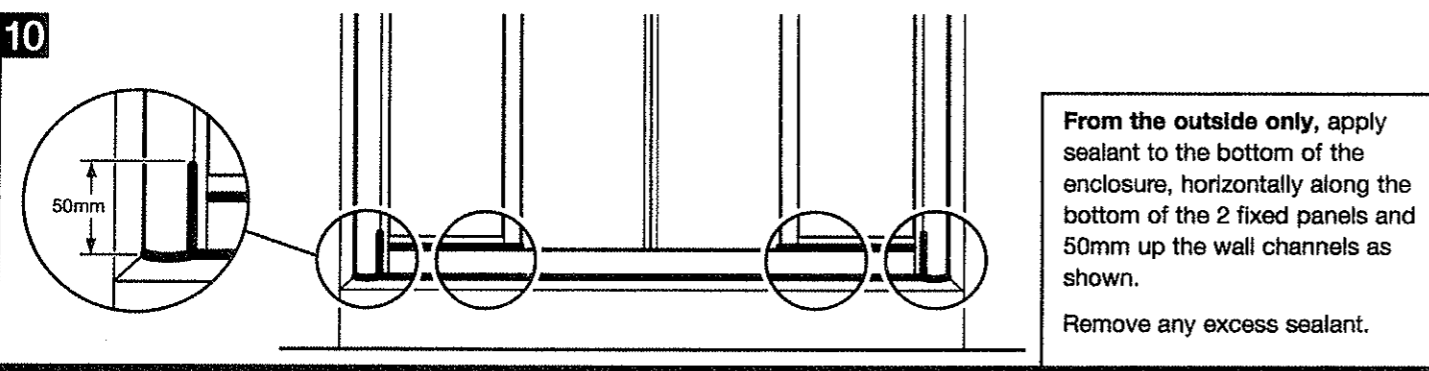


The doors may need adjusting (as in **a**, **b** & **c**) so they are square, slide freely and the magnetic seals meet when closed.  
**(a)** Loosen top hanger screws (1 turn maximum) on doors. **(b)** Rotate top mouldings until bottom mouldings hook under bottom rail. **(c)** Rotate top mouldings to lift the doors back up (with bottom sliders hooked under rail), re-tighten hanger screws. **(d)** Fit all 8 cover caps onto top and bottom mouldings.



**(a)** Push fit the threshold strip (PN40073) into top and bottom rails. Cut to length, ensuring they fit right up to the end of each rail.  
**(b)** Lubricate the inner top and bottom rails with wipe provided. **(c)** Push fit 4 hole plugs (PN4745) into the holes at the top and bottom of the fixed panels.



**From the outside only**, apply sealant to the bottom of the enclosure, horizontally along the bottom of the 2 fixed panels and 50mm up the wall channels as shown.

Remove any excess sealant.

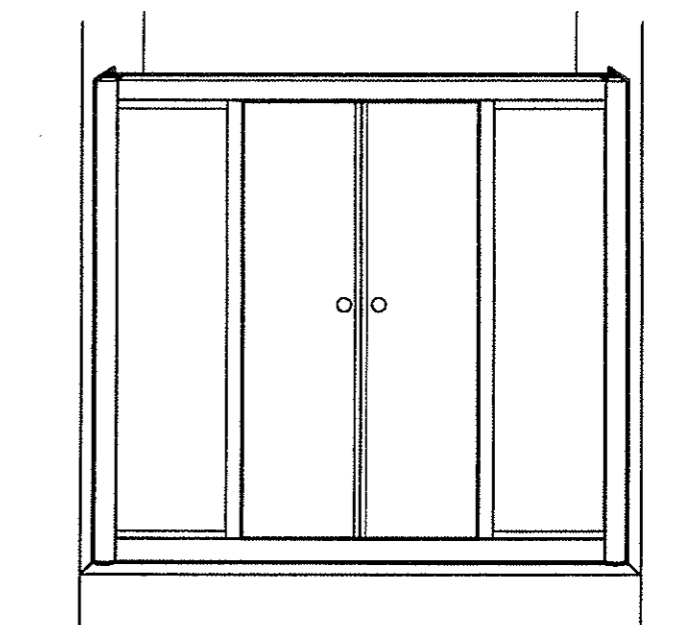
### ⚠ CARE AND MAINTENANCE

**IMPORTANT:** You must not use the shower for 24 hours after installation of the enclosure.

**DO NOT** use bleach, scouring powders, solvents or other aggressive cleaning agents. To clean, use warm soapy water and a clean cloth and rinse off.

Periodically check all fixings and fittings and tighten if necessary.

## OPTIMA DOUBLE SLIDER



*Please read these instructions carefully and keep for future reference.  
 Incorrect fitting will invalidate the guarantee.*

### ⚠ SAFETY

- Handle glass with great care. Although the glass is very tough, sharp impacts can damage both the glass and metal frame.
- Make sure there are no hidden pipes or cables hidden in the wall where you intend to drill.
- Wear safety goggles, shoes and appropriate clothing.

### ⚠ BEFORE INSTALLATION

- Two people are needed to carry out parts of the procedure, lift with care.
- Check that the shower tray is level in all directions. The enclosure will not sit correctly on an uneven surface. If uneven, the wall channels may not fit and the doors may not shut correctly.
- The shower tray and the enclosure must match in size. Attempting to fit the incorrect size of enclosure to the shower tray will result in water leaks.
- The enclosure should be fitted on tiled walls which are sealed with waterproof grout. There must be a good silicone seal between the rim of the shower tray and the wall.
- Always check very carefully that components are vertical.
- To avoid damage, use the opened out packaging to build the enclosure on.
- Please dispose of packaging correctly after installation.

### Equipment needed:

Drill, 6.5mm Masonry Bit, 4.5mm & 3mm Metal Bits (general), Crosshead Screwdriver, Large Flatblade Screwdriver, Spirit Level, Scissors, Pencil, Silicone Sealant, Tape Measure, Masking Tape.

**Note:** The screws and wall plugs supplied are for masonry walls. For lightweight walls i.e. stud partition, plasterboard etc, use the correct type of fixings.

### CORAM SHOWERS LIMITED

Stanmore Industrial Estate, Bridgnorth, Shropshire WV15 5HP, UK • Tel: 01746 766466 • Fax: 01746 764140

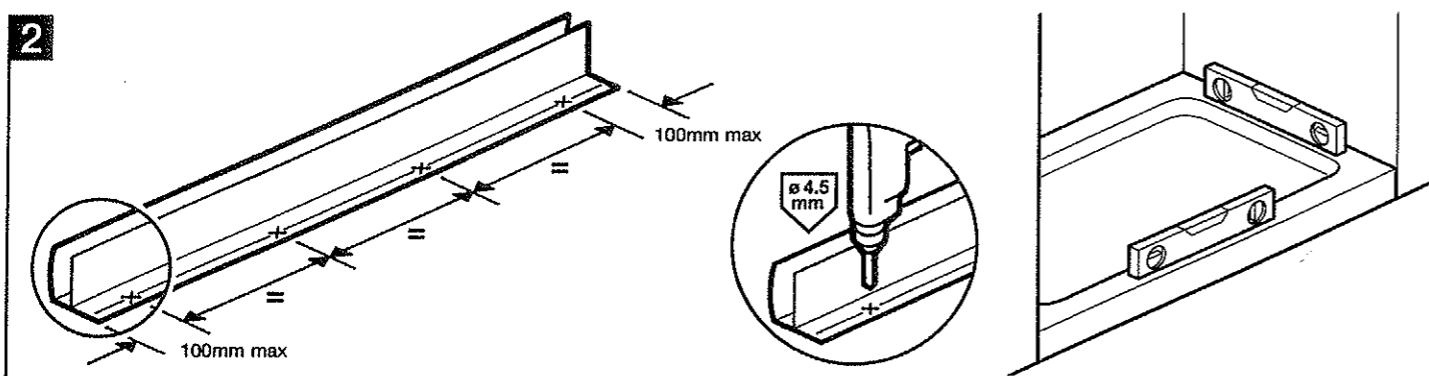
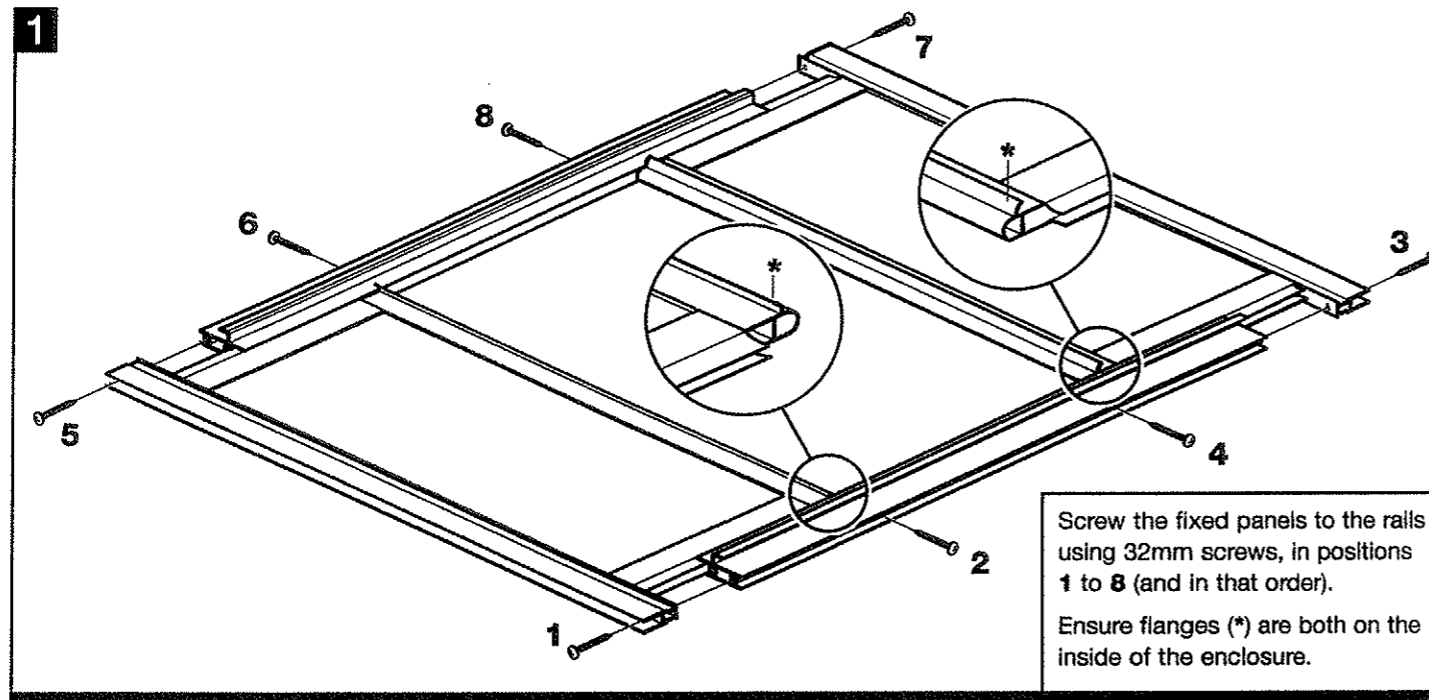
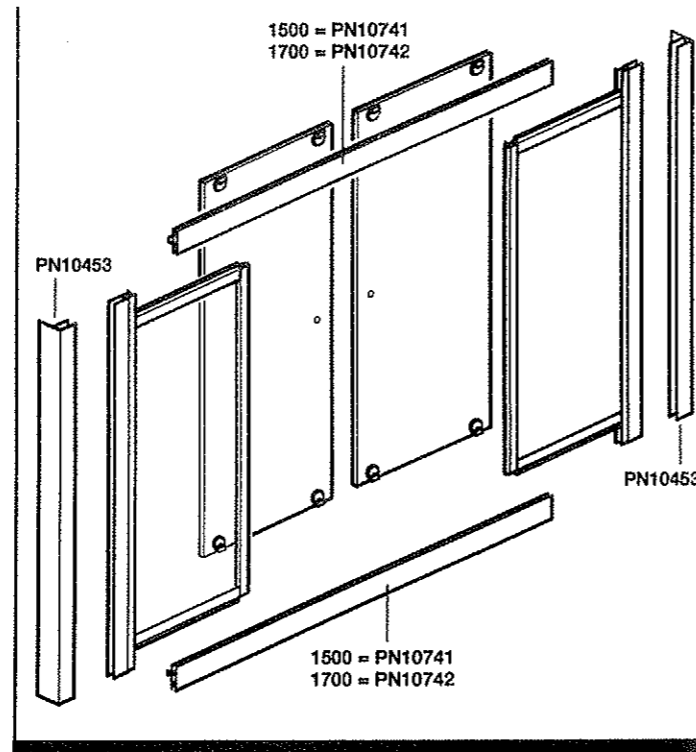
www.coram.co.uk

**CUSTOMER CARELINE 01746 713410**

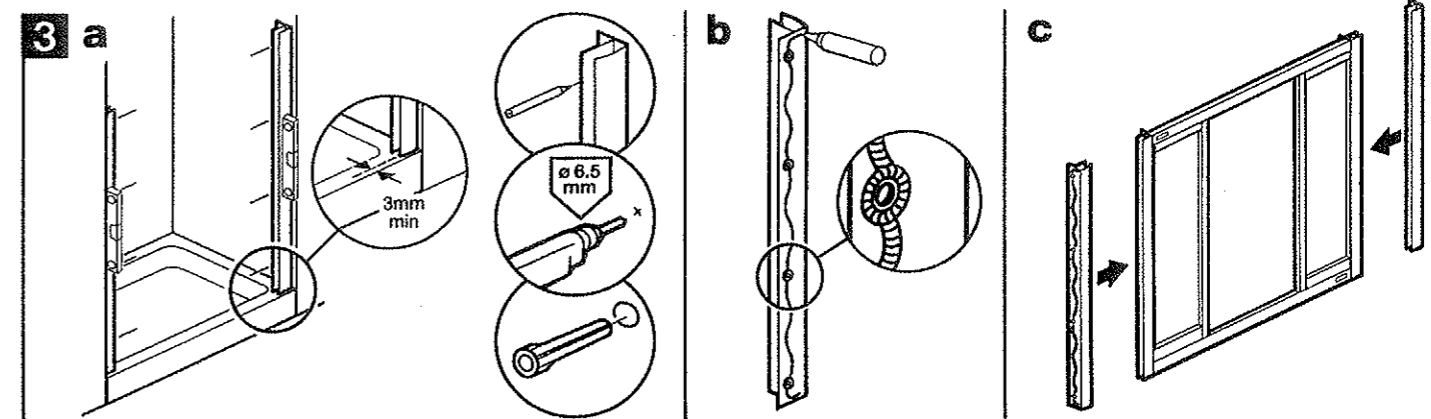
Check contents of pack before installation.  
If there is anything missing, contact our Customer Careline for assistance.

**CUSTOMER CARELINE: 01746 713410**

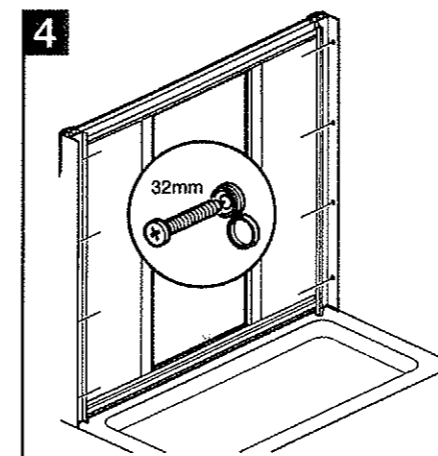
PN3225 32mm	16	PN6020702	2
PN3222 10mm	6	PN40073	1
PN3230	8	PN40095	2
PN50186	8	PN40154	2
PN4745	4	PN60058	1
PN4748	14		



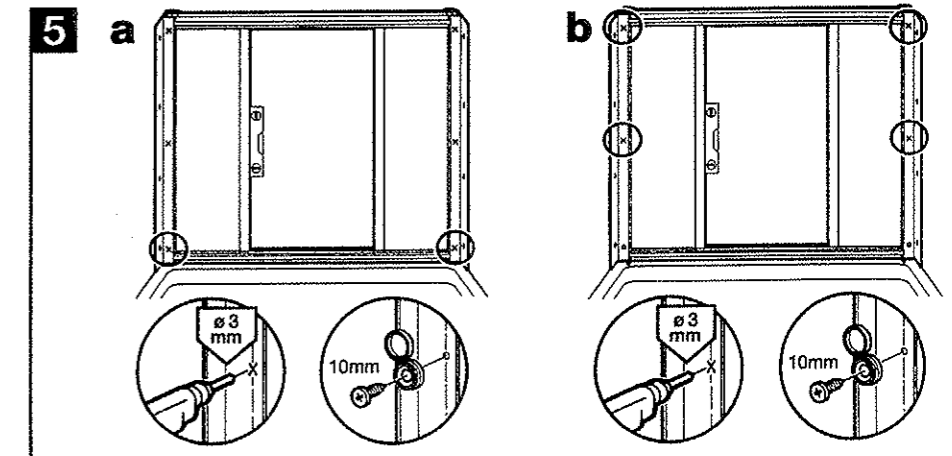
Drill holes in both wall channels (PN10453) at points shown using a 4.5mm drill bit, through the edge shown and in the grooves. Ensure shower tray is level in all directions.



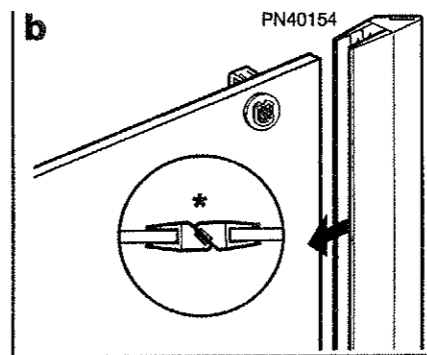
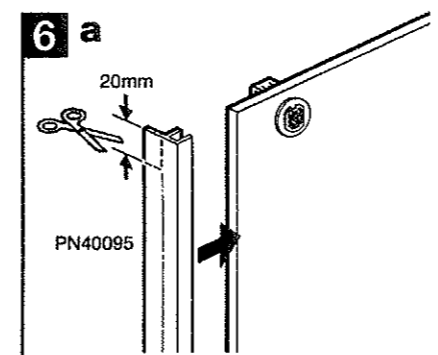
(a) Place wall channels on the tray ensuring they are vertical and a minimum of 3mm back from the front of the tray. Place masking tape against the wall before marking the drill hole positions (this will prevent the drill bit slipping). Drill 6.5mm holes, 30mm deep and insert wall plugs. (b) Apply sealant to back of wall channels. (c) Place wall channels onto the door frame.



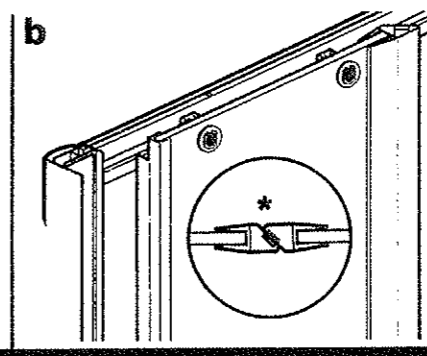
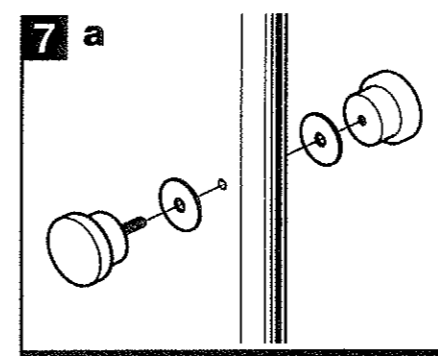
Place the door frame in position on the tray, fix the wall channels to the walls using 32mm screws and screw caps.



(a) Check door frame is centrally positioned and perfectly vertical. Drill inside of wall channels using a 3mm drill bit in the 2 lower positions shown. Fix using 10mm screws and screw caps. (b) Check door frame is vertical, drill the next 4 holes and fix using 10mm screws and screw caps.



(a) If needed, trim the door seals (PN40095) to length. Trim the top and bottom corners of each door seal as shown. Push fit the door seals onto the back edge of the doors (on the opposite side to the door handle holes). (b) Push fit the magnetic seals (PN40154) onto the other side of the doors. Ensure magnetic seals will meet as shown (\*).



(a) Fit the door handles ensuring the supplied washers are used on each side of the glass. (A chrome finish handle is supplied with all frame finish options.) **DO NOT OVERTIGHTEN**, finger tighten only. (b) Hang the doors onto top track of the frame. Ensure magnetic seals meet as shown (\*) when doors are closed.