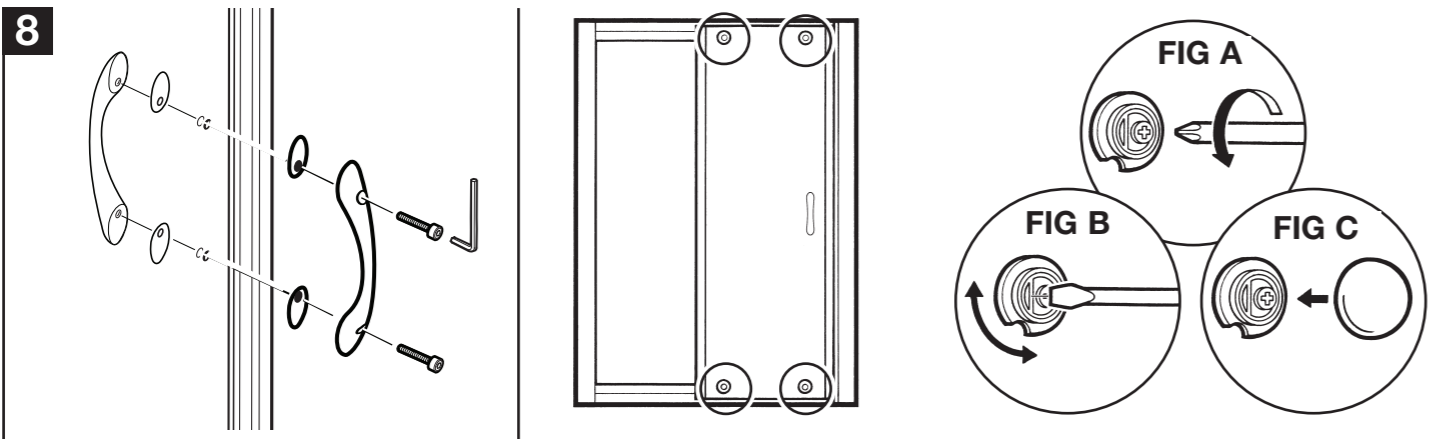
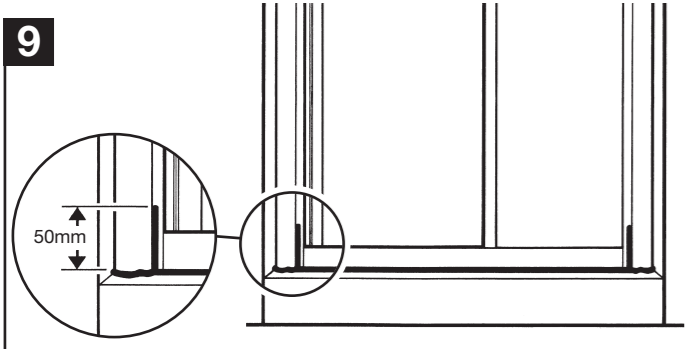


Lubricate top and bottom runners with silicone wipe provided.



Fit the door handles with the allen bolt on the inside of the door ensuring the supplied handle washers are used on each side of the glass. (A chrome finish handle is supplied with all frame finish options).
 Adjust door (first at top then at bottom, if necessary) so it slides freely and the magnetic seal meets when closed. All four runners may need adjusting. **(Fig A)** Loosen screw (1 turn maximum). **(Fig B)** Turn until the door hangs vertically. Re-tighten screw (do not overtighten). **(Fig C)** Push fit covers top and bottom.



From the outside only, apply sealant to the bottom of the enclosure and 50mm up the wall channels as shown. The unit must NOT be sealed internally as this will prevent water from draining back into the shower tray and will result in leaks. DO NOT use the shower for 24 hours after installation to allow the sealant to set.

Cleaning & Maintenance
 After each use the glass should be wiped down with a window squeegee and the framework wiped dry. This will reduce the build up of limescale and water marks on the glass and framework. DO NOT use bleach, scouring powders, solvents or other aggressive cleaning agents which may damage framework.
 To ensure the doors continue the top and bottom runners should be lubricated regularly. This should be done using a silicone wipe, These can be purchased from customer care if required.
 In some instances mould spores may build up under the glazing seal of the unit. The mould spores are most commonly black or red in colour. It is possible for a qualified person to remove the glazing seal to clean and replace. Please contact customer care for advise. Mould build up is not covered by the guarantee.
 Toughened safety glass is twice as strong as untoughened glass. However it is still possible for it to shatter. Care should be taken when opening and closing door panels so not to stress the glass. Stressed glass may shatter at any time and not necessarily at the time of stress.
Customer Care - 01746 713410

PREMIER SLIDING DOOR

To the installer: Please read these instructions carefully and leave with the home owner for future reference. Incorrect fitting will invalidate the guarantee.

SAFETY

- Handle glass with great care. Although the glass is very tough, sharp impacts can damage both the glass and metal frame.
- Make sure there are no hidden pipes or cables hidden in the wall where you intend to drill.
- Wear safety goggles, shoes and appropriate clothing.
- If you have long hair, tie it back out of the way.

BEFORE INSTALLATION

- Check that the shower tray is level in all directions. The enclosure will not sit correctly on an uneven surface. If uneven, the wall channels may not fit and the doors may not shut correctly.
- The enclosure should be fitted on tiled walls which are sealed with waterproof grout.
- There must be a good silicone seal between the rim of the shower tray and the wall.
- The shower tray and the enclosure must match in size. Attempting to fit the incorrect size of enclosure to the shower tray will result in water leaks.

Equipment needed:

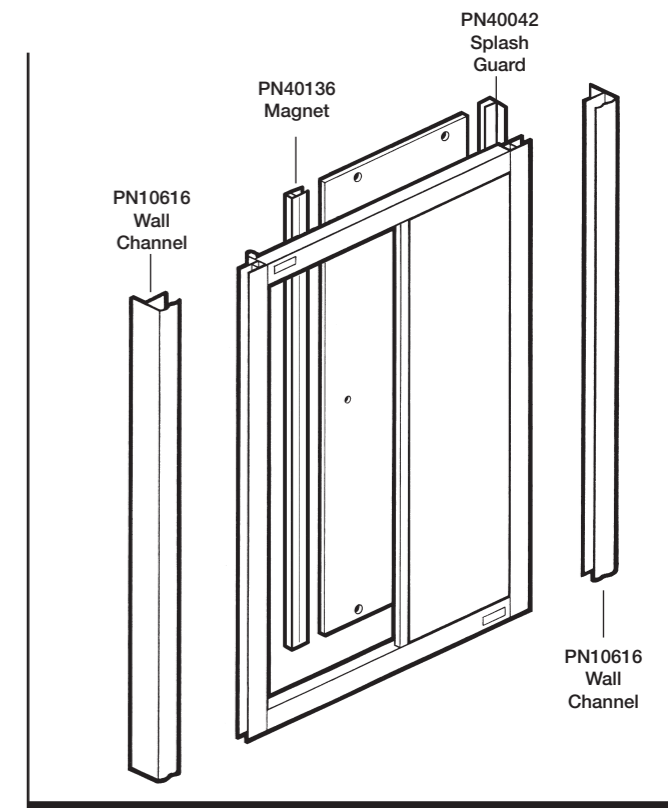
Drill, 6.5mm masonry bit, 4.5mm & 3mm metal bits (general), Crosshead Screwdriver, Flatblade Screwdriver, Spirit Level, Pencil, Silicone Sealant, Tape Measure, Masking Tape,

Note:

The screws and wall plugs supplied are for masonry walls. For lightweight walls i.e. stud partition, plasterboard etc, use the correct type of fixings.

Check contents of pack before installation. If there is anything missing, contact our Customer Careline for assistance, rather than your supplier.

	PN3230 Wall Plug	8		PN4748 Screw Caps	14
	PN3225 32mm Screw	8		PN6022002 Magnet	1
	PN3222 10mm Screw	6		PN60162 Door Runner	1
	PN50101 Door Runner	4		PN60330 Door Runner	4
	PN50102 Door Runner	4		PN60058 Silicone Wipe	1
	PN50103 Door Runner	4			
	PN60254 Screw M4 X 25	4			



CUSTOMER CARELINE 01746 713410

CORAM SHOWERS LTD

Stanmore Industrial Estate, Bridgnorth, Shropshire WV15 5HP, UK • Tel: +44 (0) 1746 766466 • Fax: +44 (0) 1746 764140

www.coram.co.uk

1

Drill holes in both wall channels at points shown using a 4.5mm drill bit, through the edge shown and between the grooves. Ensure shower tray is level in all directions.

An out of level shower tray will prevent the doors from closing correctly.

2

With the frame lying on the floor, fit the door as shown. For patterned options ensure the pattern side of the glass is facing to the outside of the enclosure. The square hole on the back of door mountings part (PN50101) must fit over the square on the wheels. When assembled the slot in each part (PN50102) should be vertical as shown. Trim the seal (PN40042) to the length of the glass. Cut 40mm off of the seal flap at the top and bottom and push-fit onto the back edge of the door with the flap as shown. Push-fit the magnetic seal onto the front edge of the door. Ensure the magnetic polarity is correct, re-fit if needed.

3

Place wall channels on tray ensuring they are vertical. Both wall channels should be set an equal distance back from the front of the tray. Failure to do this will put a twist into the enclosure and prevent the doors from closing correctly. Place masking tape against the wall before marking the drill hole positions. This will prevent the drill bit slipping. Drill 6.5mm holes, 30mm deep and insert wall plugs.

Place wall channels on tray ensuring they are vertical. Both wall channels should be set an equal distance back from the front of the tray. Failure to do this will put a twist into the enclosure and prevent the doors from closing correctly. Place masking tape against the wall before marking the drill hole positions. This will prevent the drill bit slipping. Drill 6.5mm holes, 30mm deep and insert wall plugs.

4

Clean shower tray of dust and debris after drilling. Seal the gap between the tray surface and tiles. It is important the tray is sealed right to the tray edge so that the bottom of the wall channel is sealed. Failure to do this will cause water to leak under the wall channel and between the tray and tiles, resulting in damp patches on the wall and under the tray. Choose the opening side for the door (turn over if necessary) Apply sealant to the back of wall channels. Place wall channels onto door.

Clean shower tray of dust and debris after drilling. Seal the gap between the tray surface and tiles. It is important the tray is sealed right to the tray edge so that the bottom of the wall channel is sealed. Failure to do this will cause water to leak under the wall channel and between the tray and tiles, resulting in damp patches on the wall and under the tray. Choose the opening side for the door (turn over if necessary) Apply sealant to the back of wall channels. Place wall channels onto door.

5

Place door in position on the tray, fix wall channels to walls using 32mm screws and screw caps.

Place door in position on the tray, fix wall channels to walls using 32mm screws and screw caps.

6

Check door is centrally positioned and perfectly vertical. Drill inside of wall channels using 3mm drill bit in the two lower positions shown. Fix using 10mm screws and screw caps (Fig A). Check door is vertical, drill next 4 holes and fix using 10mm screws and screw caps (Fig B).

Check door is centrally positioned and perfectly vertical. Drill inside of wall channels using 3mm drill bit in the two lower positions shown. Fix using 10mm screws and screw caps (Fig A). Check door is vertical, drill next 4 holes and fix using 10mm screws and screw caps (Fig B).