

# TECHNICAL DATA SHEET

## GB5 SLIDING DOOR CORNER ENTRY SHOWER ENCLOSURE

GB5CE76CUC  
GB5CE80CUC



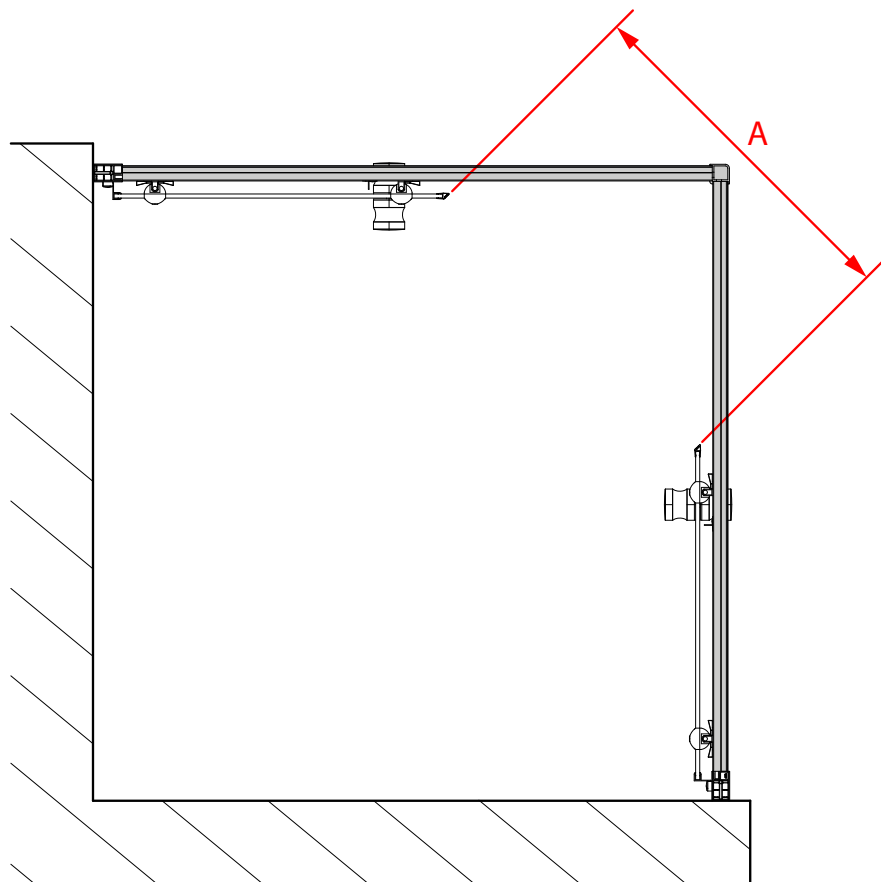
**CORAM**  
SHOWERS

# HEIGHT & WEIGHT

CORAM PRODUCT CODE	DESCRIPTION	WEIGHT NET KG	HEIGHT (MM)	WIDTH (MM)
GB5CE76CUC	GB 5 Corner Entry Door 760mm	35	1800	760
GB5CE80CUC	GB 5 Corner Entry Door 800mm	37	1800	800

all dimensions are in mm

# DOOR OPENING DIMENSIONS

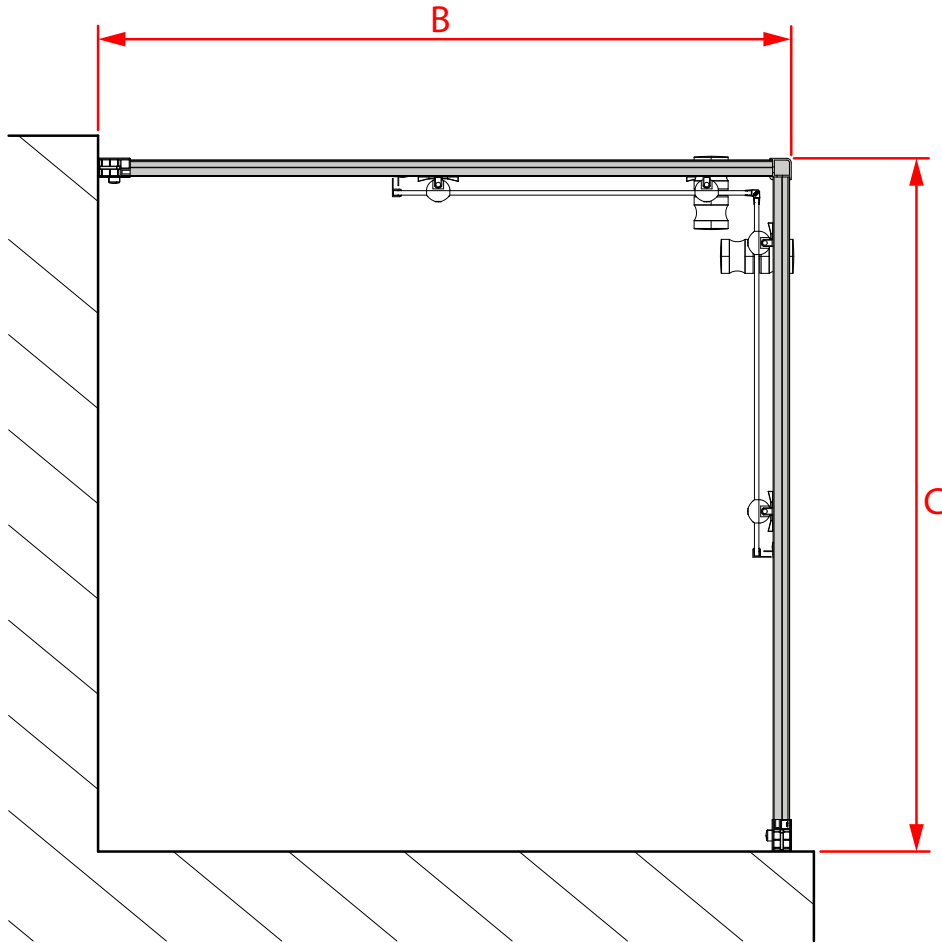


Door Opening dimensions

CORAM PRODUCT CODE	WIDTH (MM)	DOOR OPENING (A)
GB5CE76CUC	760	360
GB5CE80CUC	800	390

all dimensions are in mm

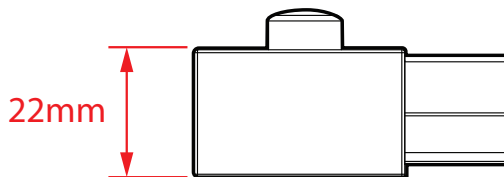
# CORNER DOOR ADJUSTMENT



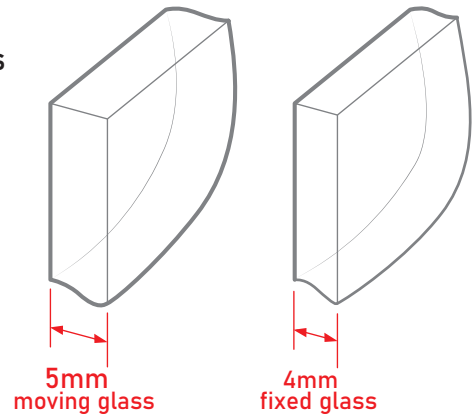
CORAM PRODUCT CODE	OVERALL WIDTH (B)(C)	ADJUSTMENT (DOOR)	AMOUNT OF ADJUSTMENT (PER END)
GB5CE76CUC	760	735-760	25
GB5CE80CUC	800	775-800	25

all dimensions are in mm

Wall fixing dimension



Glass thickness



CUSTOMER CARELINE 01460 256080

[www.coram.co.uk](http://www.coram.co.uk)

[technicalsupport@coram.co.uk](mailto:technicalsupport@coram.co.uk)

Coram Showers, Conquest Business Park  
Cad Road, Ilton, Somerset, TA19 9EA

**CORAM**  
SHOWERS