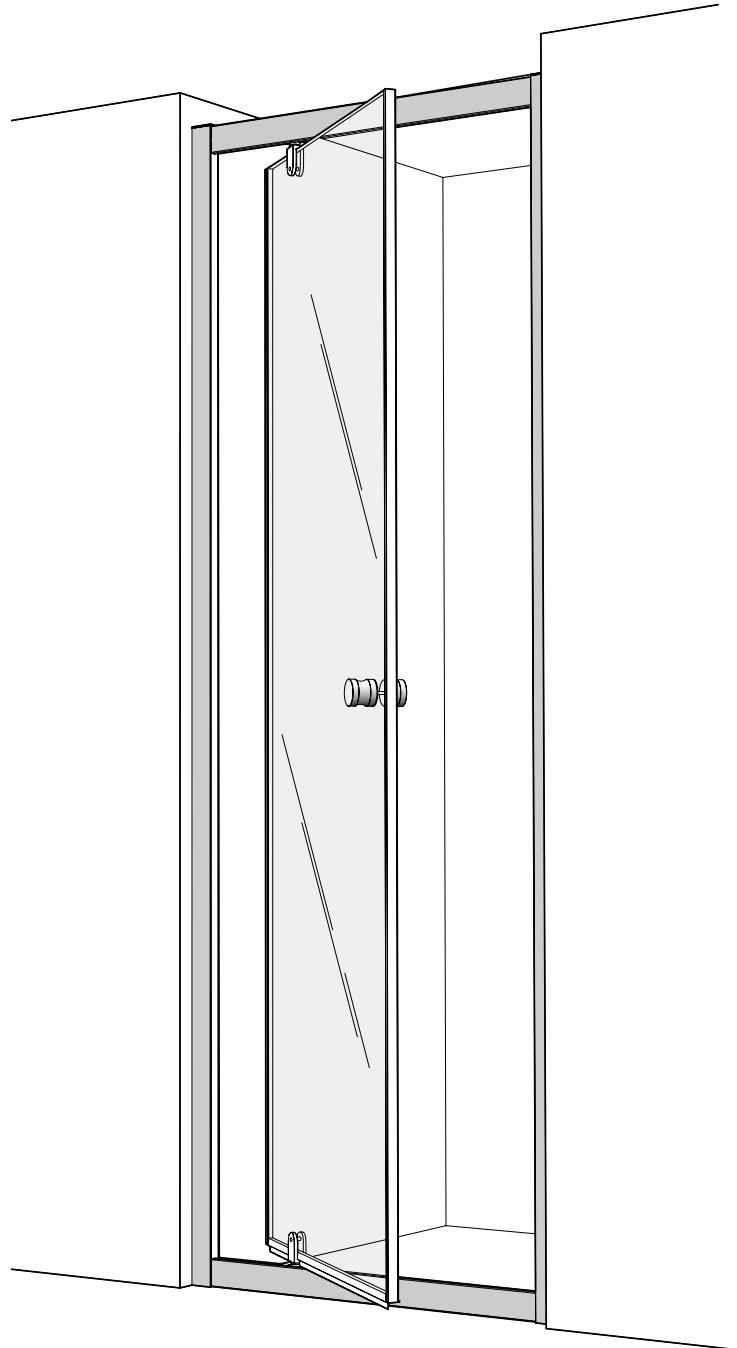


# TECHNICAL DATA SHEET

## GB5 PIVOT DOOR SHOWER ENCLOSURE & SIDE PANEL

GB5PI70CUC  
GB5PI76CUC  
GB5PI80CUC  
GB5PI90CUC



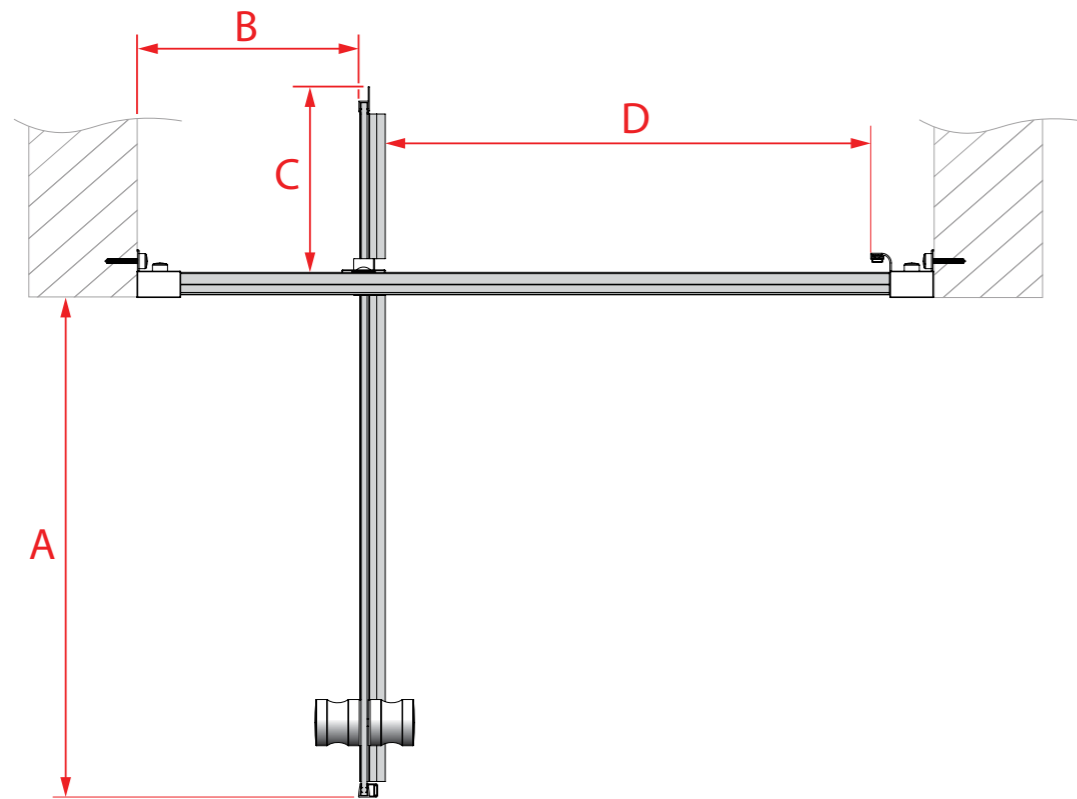
**CORAM**  
SHOWERS

## HEIGHT & WEIGHT

CORAM PRODUCT CODE	DESCRIPTION	WEIGHT NET KG	HEIGHT (MM)	WIDTH (MM)
GB5PI70CUC	GB5 PIVOT DOOR 700MM CLEAR GLASS CHROME FRAME	20	1800	700
GB5PI76CUC	GB5 PIVOT DOOR 760MM CLEAR GLASS CHROME FRAME	21	1800	760
GB5PI80CUC	GB5 PIVOT DOOR 800MM CLEAR GLASS CHROME FRAME	22	1800	800
GB5PI90CUC	GB5 PIVOT DOOR 900MM CLEAR GLASS CHROME FRAME	24	1800	900

all dimensions are in mm

## DOOR OPENING DIMENSIONS



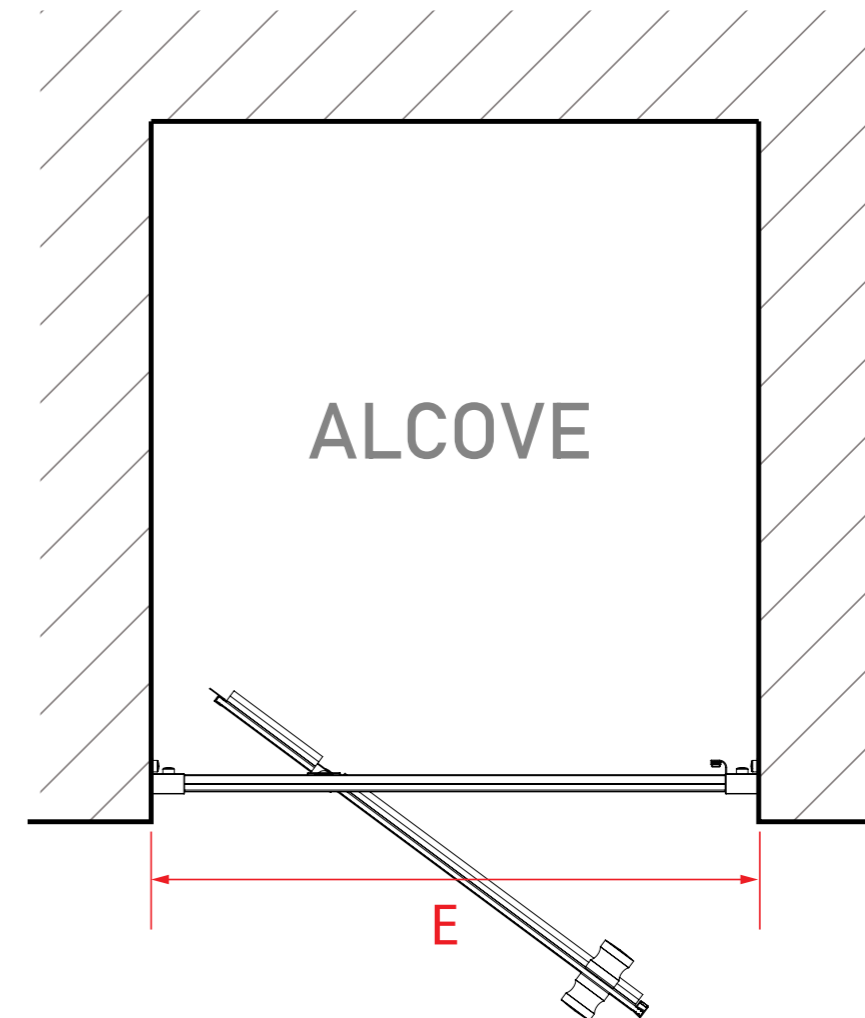
Door Opening dimensions

CORAM PRODUCT CODE	DOOR SWING (A)	DISTANCE TO WALL (B)	PROTRUSION INTO ENCLOSURE (C)	DOOR OPENING (D)
GB5PI70CUC	410	183	153	410
GB5PI76CUC	470	183	153	470
GB5PI80CUC	510	183	153	510
GB5PI90CUC	610	183	153	610

all dimensions are in mm

**CORAM**  
SHOWERS

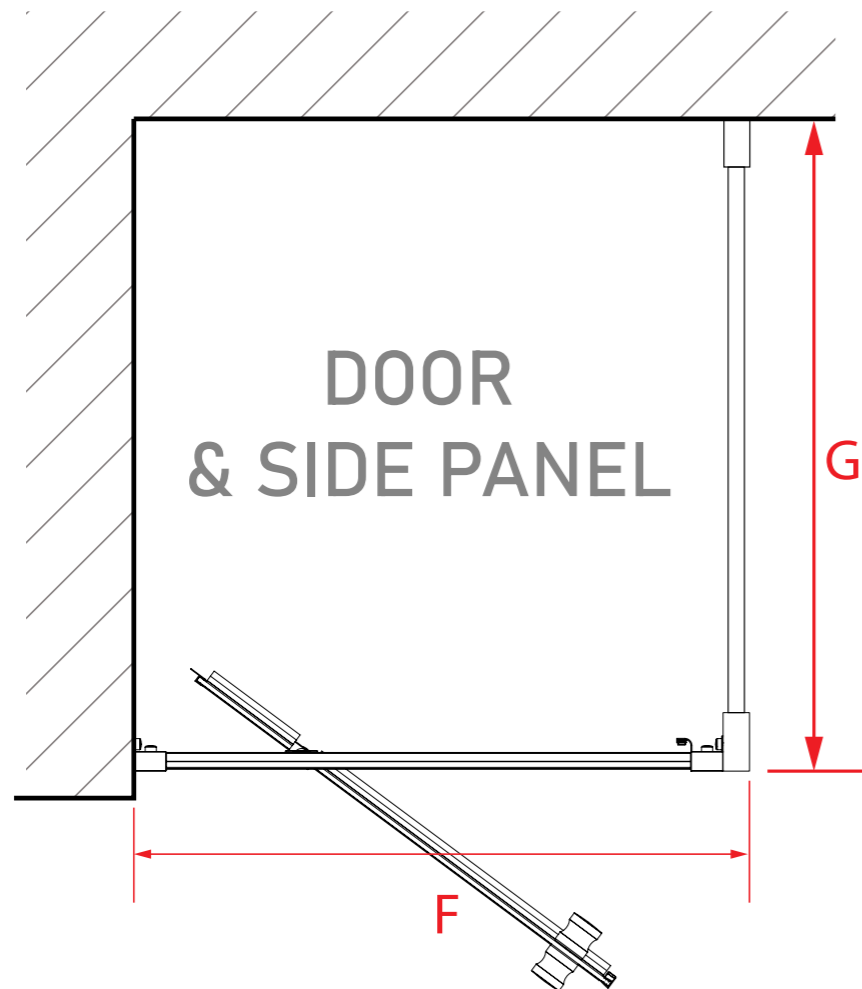
## PIVOT DOOR ADJUSTMENT



CORAM PRODUCT CODE	OVERALL WIDTH (E)	ADJUSTMENT (DOOR)	AMOUNT OF ADJUSTMENT (PER SIDE)
GB5PI70CUC	700	655-705	25
GB5PI76CUC	760	715-765	25
GB5PI80CUC	800	755-805	25
GB5PI90CUC	900	855-905	25

all dimensions are in mm

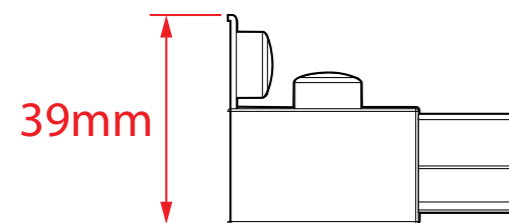
**CORAM**  
SHOWERS



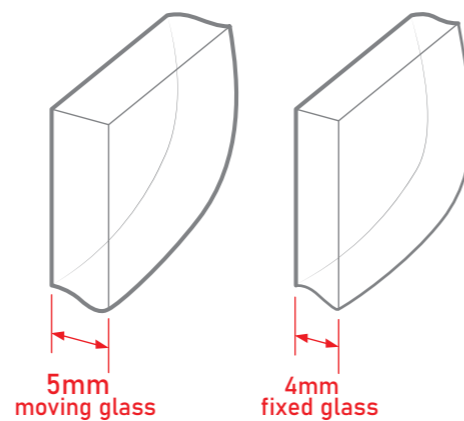
CORAM PRODUCT CODE	OVERALL WIDTH (F)	ADJUSTMENT (DOOR)	AMOUNT OF ADJUSTMENT (PER SIDE)	CORAM SIDE PANEL CODE	SIDE PANEL (G)	ADJUSTMENT (SIDE PANEL)	AMOUNT OF ADJUSTMENT
GB5PI70CUC	700	655-705	25	GB5SP70CUC	700	670-695	25
GB5PI76CUC	760	715-765	25	GB5SP76CUC	760	730-755	25
GB5PI80CUC	800	755-805	25	GB5SP80CUC	800	770-795	25
GB5PI90CUC	900	855-905	25	GB5SP90CUC	900	870-895	25

all dimensions are in mm

Wall fixing dimension



Glass thickness



CUSTOMER CARELINE 01460 256080

[www.coram.co.uk](http://www.coram.co.uk)

[technicalsupport@coram.co.uk](mailto:technicalsupport@coram.co.uk)

Coram Showers, Conquest Business Park  
Cad Road, Ilton, Somerset, TA19 9EA

**CORAM**  
SHOWERS

**CORAM**  
SHOWERS