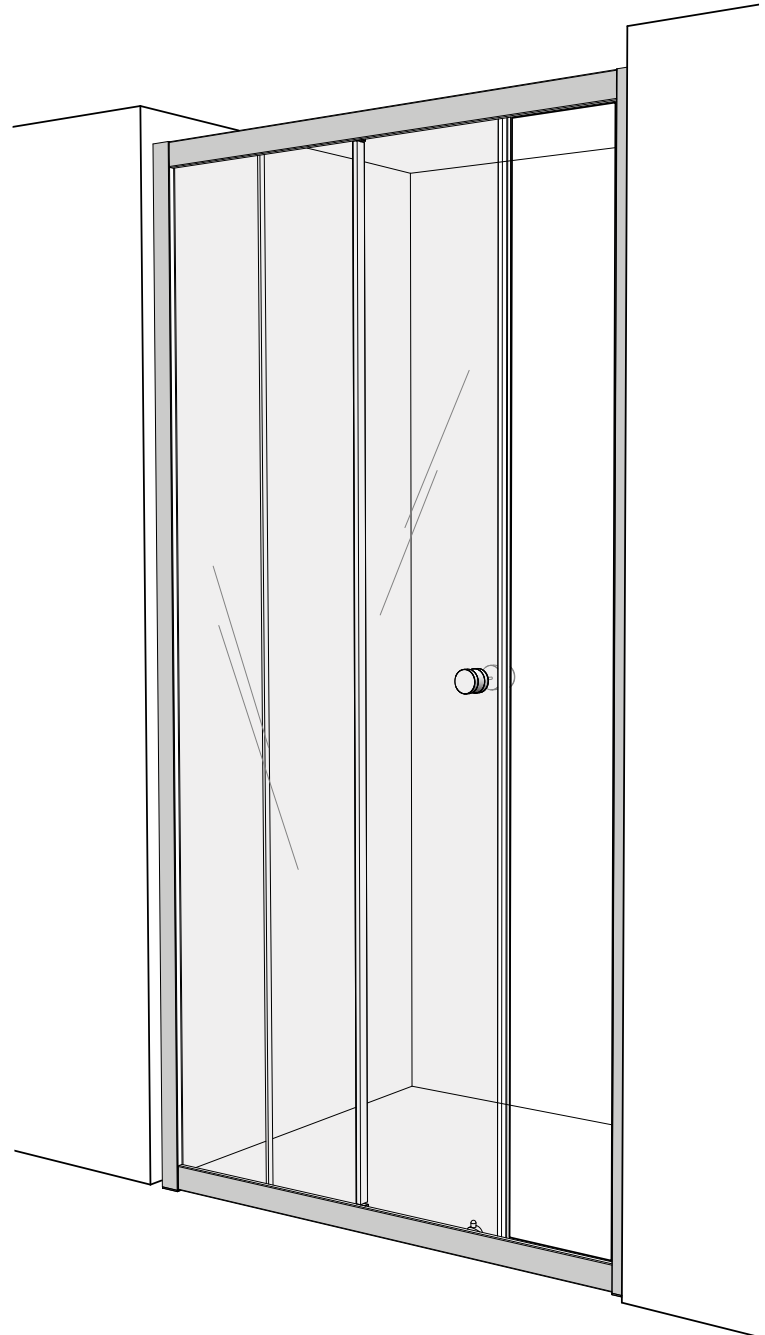


TECHNICAL DATA SHEET

GB5 SLIDING DOOR SHOWER ENCLOSURE & SIDE PANEL

GB5SL10CUC
GB5SL11CUC
GB5SL12CUC



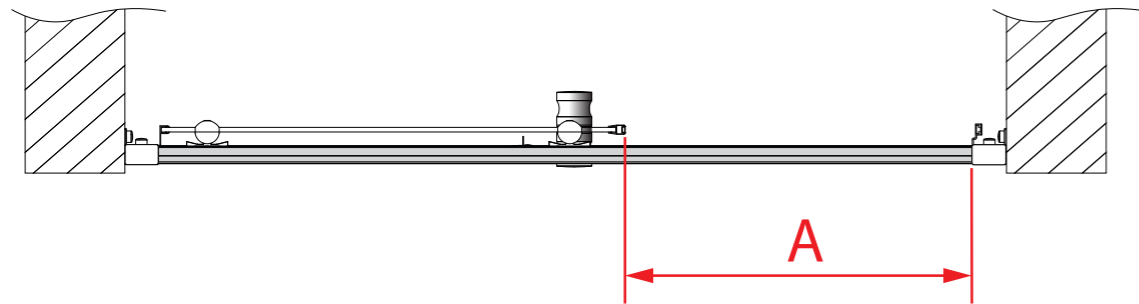
CORAM
SHOWERS

HEIGHT & WEIGHT

CORAM PRODUCT CODE	DESCRIPTION	WEIGHT NET KG	HEIGHT (MM)	WIDTH (MM)
GB5SL10CUC	GB5 SLIDING DOOR 1000MM	26	1800	1000
GB5SL11CUC	GB5 SLIDING DOOR 1100MM	28	1800	1100
GB5SL12CUC	GB5 SLIDING DOOR 1200MM	30	1800	1200

all dimensions are in mm

DOOR OPENING DIMENSIONS

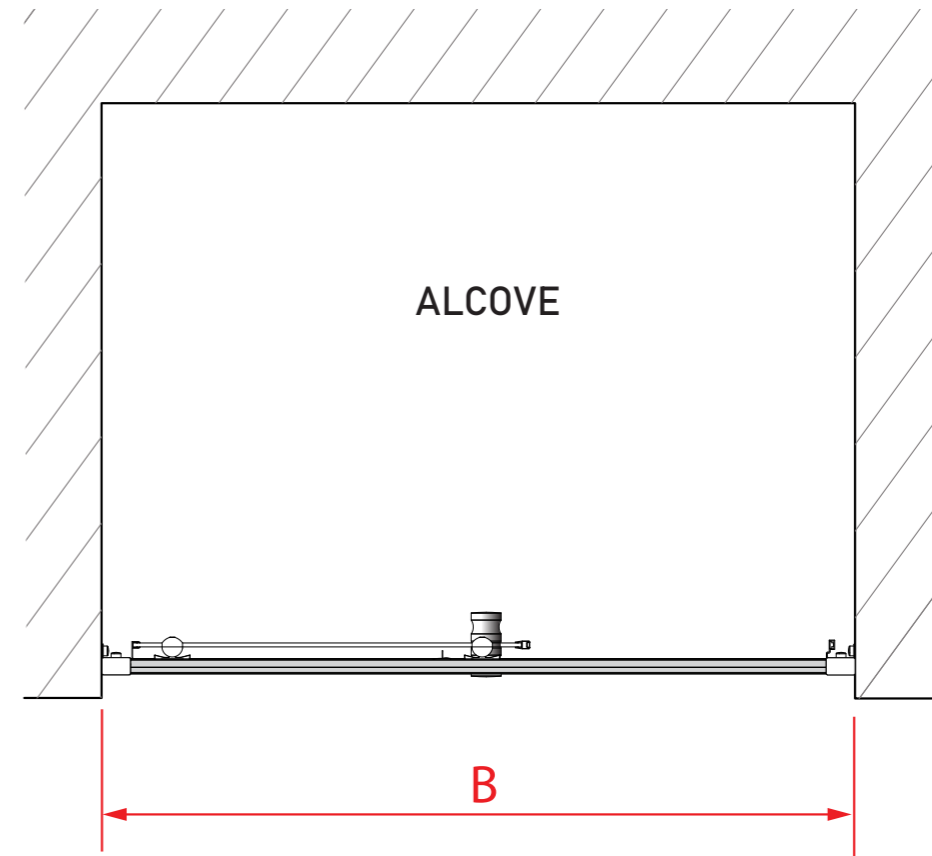


Door Opening dimensions

CORAM PRODUCT CODE	WIDTH (MM)	DOOR OPENING (A)
GB5SL10CUC	1000	370
GB5SL11CUC	1100	420
GB5SL12CUC	1200	470

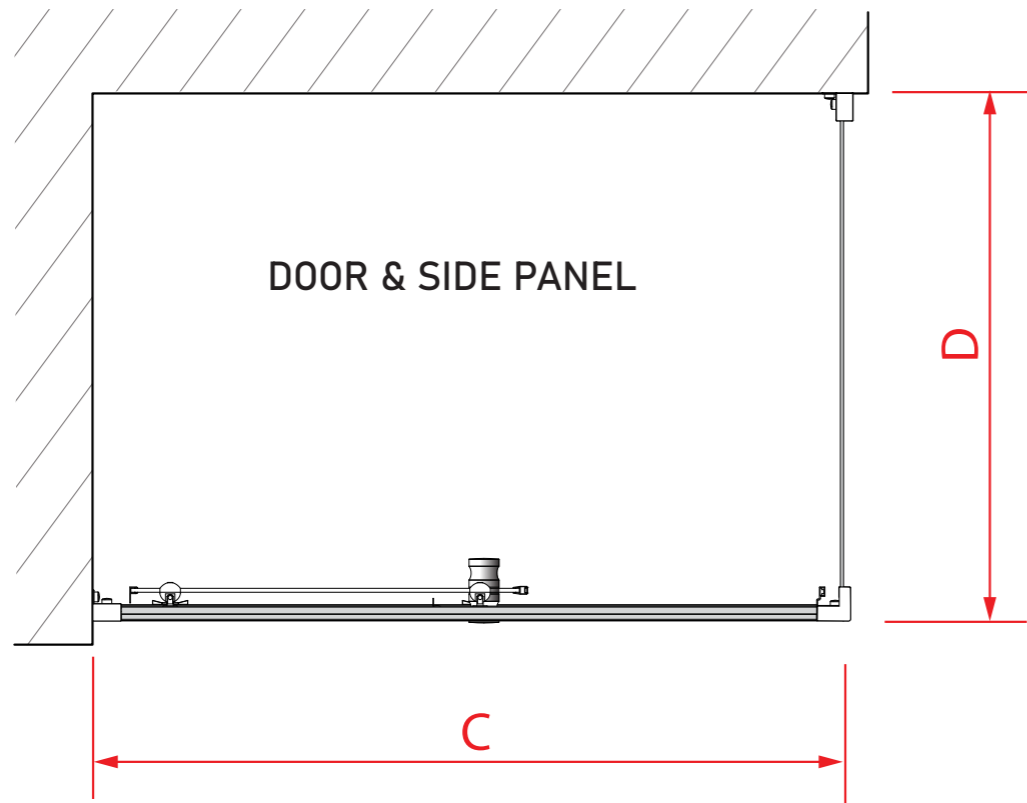
all dimensions are in mm

DOOR ADJUSTMENT



CORAM PRODUCT CODE	OVERALL WIDTH (B)	ADJUSTMENT (DOOR)	AMOUNT OF ADJUSTMENT (PER SIDE)
GB5SL10CUC	1000	955-1005	25
GB5SL11CUC	1100	1055-1105	25
GB5SL12CUC	1200	1155-1205	25

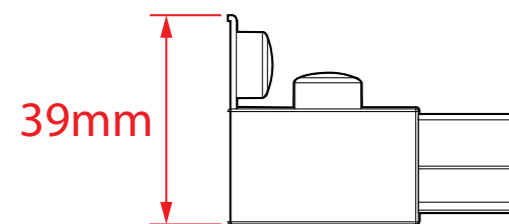
all dimensions are in mm



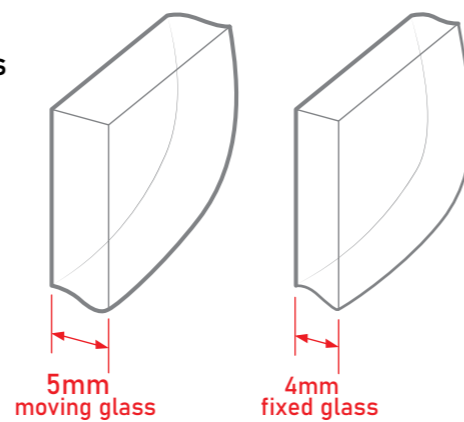
CORAM PRODUCT CODE	OVERALL WIDTH (C)	ADJUSTMENT (DOOR)	AMOUNT OF ADJUSTMENT (PER SIDE)	CORAM SIDE PANEL CODE	SIDE PANEL (D)	ADJUSTMENT (SIDE PANEL)	AMOUNT OF ADJUSTMENT
GB5SL10CUC	1000	955-1005	25	GB5SP70CUC	700	670-695	25
GB5SL11CUC	1100	1055-1105	25	GB5SP76CUC	760	730-755	25
GB5SL12CUC	1200	1155-1205	25	GB5SP80CUC	800	770-795	25
-	-	-	-	GB5SP90CUC	900	870-895	25

all dimensions are in mm

Wall fixing dimension



Glass thickness



CUSTOMER CARELINE 01460 256080

www.coram.co.uk

technicalsupport@coram.co.uk

Coram Showers, Conquest Business Park
Cad Road, Ilton, Somerset, TA19 9EA

CORAM
SHOWERS

CORAM
SHOWERS