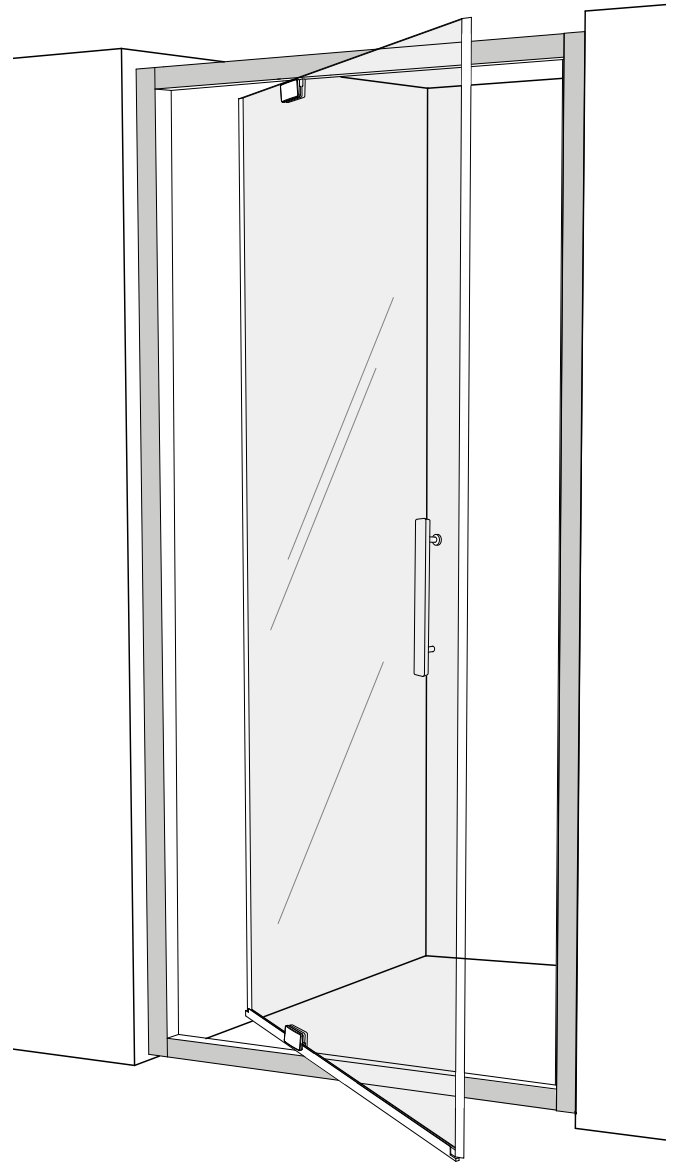


# TECHNICAL DATA SHEET

## OPTIMA 6 PIVOT DOOR SHOWER ENCLOSURE, SIDE PANEL & INLINE PANEL

O6PI70CUC /  
O6PI70CUW  
O6PI76CUC /  
O6PI76CUW  
O6PI80CUC /  
O6PI80CUW  
O6PI90CUC /  
O6PI90CUW  
O6PI10CUC



**CORAM**  
SHOWERS

# HEIGHT & WEIGHT

## Enclosure Specification

PRODUCT CODE	DESCRIPTION	WEIGHT NET KG	HEIGHT (MM)	WIDTH (MM)
O6PI70CUC / O6PI70CUW	OPTIMA 6 PIVOT DOOR 700mm CHROME FRAME OR WHITE FRAME	19.5	1900	700
O6PI76CUC / O6PI76CUW	OPTIMA 6 PIVOT DOOR 760mm CHROME FRAME OR WHITE FRAME	21	1900	760
O6PI80CUC / O6PI80CUW	OPTIMA 6 PIVOT DOOR 800mm CHROME FRAME OR WHITE FRAME	22.5	1900	800
O6PI90CUC / O6PI90CUW	OPTIMA 6 PIVOT DOOR 900mm CHROME FRAME OR WHITE FRAME	25.5	1900	900
O6PI10CUC	OPTIMA 6 PIVOT DOOR 1000mm CHROME FRAME	28.5	1900	1000

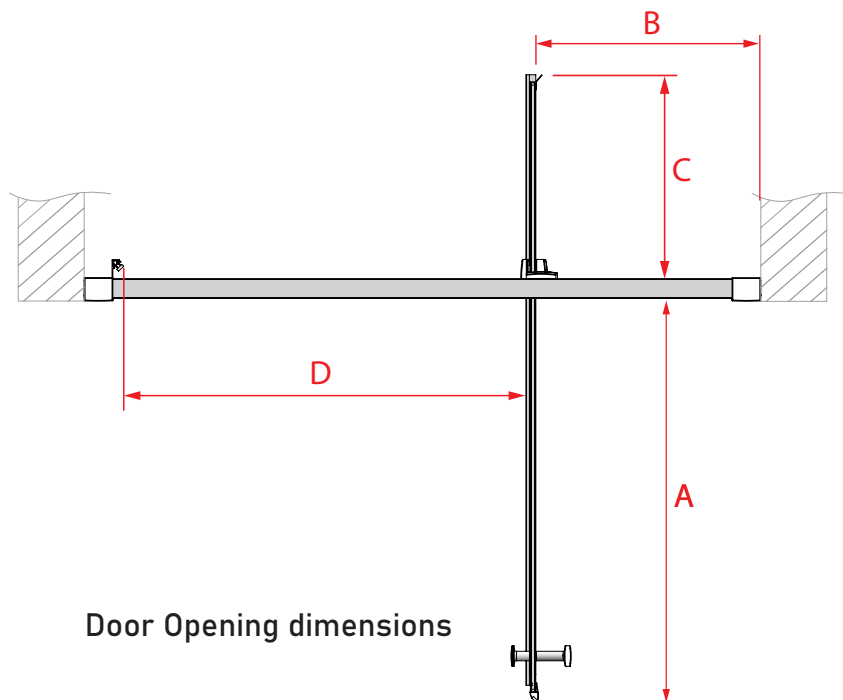
## Side Panel Specification

PRODUCT CODE	DESCRIPTION	WEIGHT NET KG	HEIGHT (MM)	WIDTH (MM)
O6SP70CUC	OPTIMA 6 SIDE PANEL 700mm CHROME	20	1900	700
O6SP76CUC / O6SP76CUW	OPTIMA 6 SIDE PANEL 760mm CHROME OR WHITE	22	1900	760
O6SP80CUC / O6SP80CUW	OPTIMA 6 SIDE PANEL 800mm CHROME OR WHITE	23	1900	800
O6SP90CUC / O6SP90CUW	OPTIMA 6 SIDE PANEL 900mm CHROME OR WHITE	25.5	1900	900
O6PI10CUC	OPTIMA 6 SIDE PANEL 1000mm CHROME	28.5	1900	1000

## In-line Panel Specification

PRODUCT CODE	DESCRIPTION	WEIGHT NET KG	HEIGHT (MM)	WIDTH (MM)
O6IL20CUC	OPTIMA 6 IN-LINE PANEL 200mm CHROME	6.5	1900	200
O6IL40CUC	OPTIMA 6 IN-LINE PANEL 400mm CHROME	12	1900	400
O6IL60CUC	OPTIMA 6 IN-LINE PANEL 600mm CHROME	18	1900	600

# DOOR OPENING DIMENSIONS

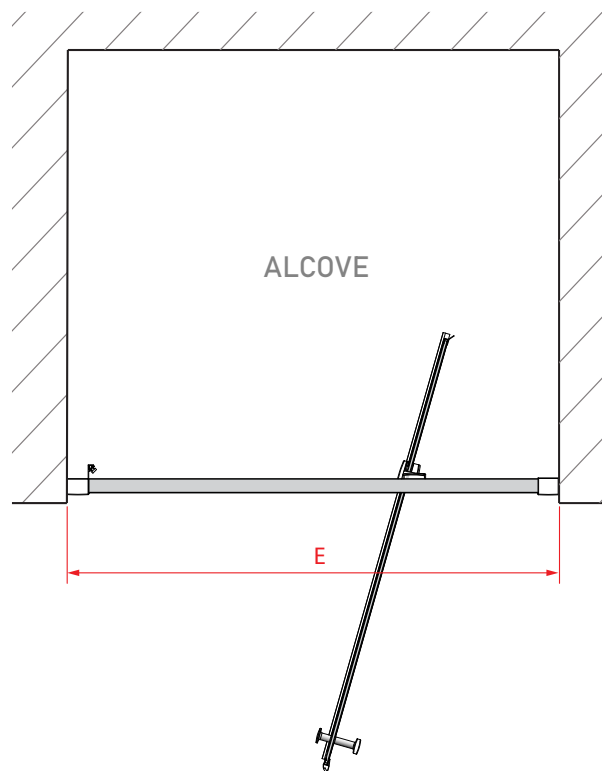


Door Opening dimensions

PRODUCT CODE	DOOR SWING (A)	DISTANCE TO WALL (B)	PROTRUSION INTO ENCLOSURE (C)	DOOR OPENING (D)
O6PI70CUC / O6PI70CUW	408	285	260	410
O6PI76CUC / O6PI76CUW	438	285	260	455
O6PI80CUC / O6PI80CUW	458	285	260	475
O6PI90CUC / O6PI90CUW	508	285	260	525
O6PI10CUC	558	285	260	575

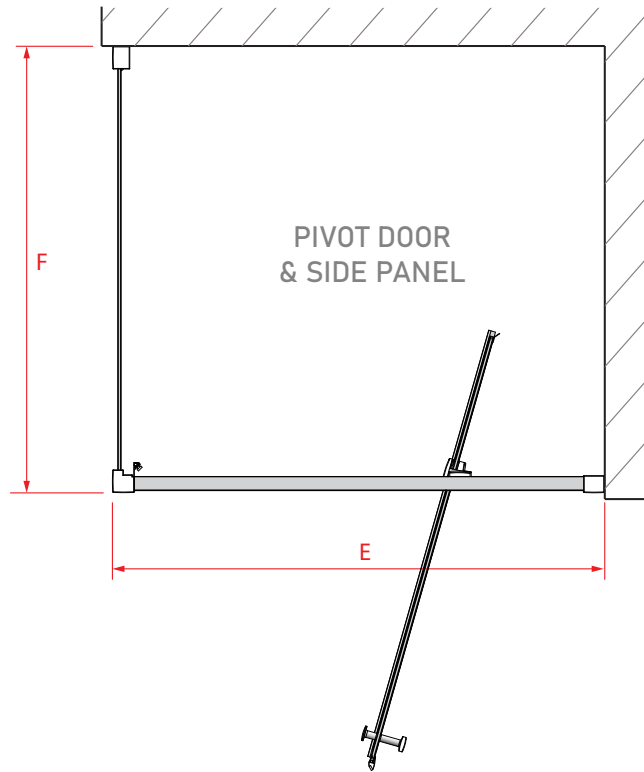
all dimensions are in mm

# PIVOT DOOR ADJUSTMENT



## Door Adjustment dimensions

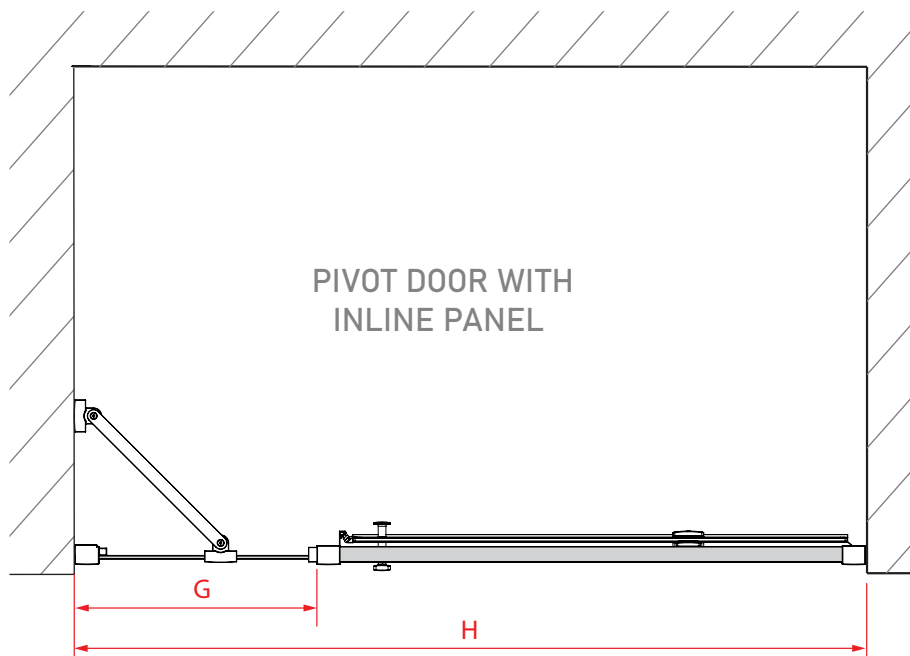
CORAM PRODUCT CODE	OVERALL WIDTH (DOOR) (E)	ADJUSTMENT (DOOR)	AMOUNT OF ADJUSTMENT (PER END)
O6PI70CUC / O6PI70CUW	700	655-695	20
O6PI76CUC / O6PI76CUW	760	715-755	20
O6PI80CUC / O6PI80CUW	800	755-795	20
O6PI90CUC / O6PI90CUW	900	855-895	20
O6PI10CUC	1000	955-995	20



### Side Panel Adjustment dimensions

DOOR PRODUCT CODE	OVERALL WIDTH (DOOR) (E)	ADJUSTMENT (PANEL)	AMOUNT OF ADJUSTMENT	PANEL PRODUCT CODE	SIDE PANEL (F)	ADJUSTMENT (SIDE PANEL)	AMOUNT OF ADJUSTMENT
O6SP70CUC	700	675-695	20	O6SP70CUC	700	675-695	20
O6SP76CUC / O6SP76CUC	760	735-755	20	O6SP76CUC	760	735-755	20
O6SP80CUC / O6SP80CUC	800	775-795	20	O6SP76CUW	760	735-755	20
O6SP90CUC / O6SP90CUC	900	875-895	20	O6SP80CUC	800	775-795	20
O6SP10CUC	1000	975-995	20	O6SP80CUW	800	775-795	20
				O6SP90CUC	900	875-895	20
				O6SP90CUW	900	875-895	20
				O6SP10CUC	1000	975-995	20

all dimensions are in mm

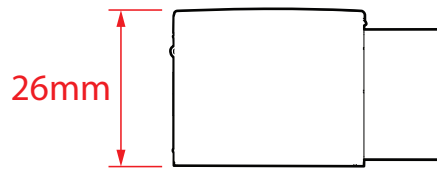


### Door Adjustment dimensions

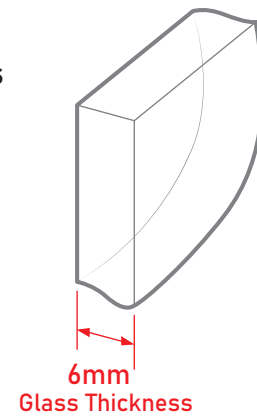
DOOR PRODUCT CODE	DOOR OVERALL WIDTH (H)	DOOR ADJUSTMENT	DOOR AMOUNT OF ADJUSTMENT	INLINE PANEL PRODUCT CODE	INLINE PANEL WIDTH (G)	INLINE PANEL ADJUSTMENT	INLINE PANEL AMOUNT OF ADJUSTMENT
O6PI70CUC / O6PI70CUW	700	830-890	40*	O6IL20CUC	200	175-195	20
O6PI70CUC / O6PI70CUW	700	1030-1090	40*	O6IL40CUC	400	375-395	20
O6PI70CUC / O6PI70CUW	700	1230-1290	40*	O6IL60CUC	600	575-595	20
O6PI76CUC / O6PI76CUW	760	890-950	40*	O6IL20CUC	200	175-195	20
O6PI76CUC / O6PI76CUW	760	1090-1150	40*	O6IL40CUC	400	375-395	20
O6PI76CUC / O6PI76CUW	760	1290-1350	40*	O6IL60CUC	600	575-595	20
O6PI80CUC / O6PI80CUW	800	930-990	40*	O6IL20CUC	200	175-195	20
O6PI80CUC / O6PI80CUW	800	1130-1190	40*	O6IL40CUC	400	375-395	20
O6PI80CUC / O6PI80CUW	800	1330-1390	40*	O6IL60CUC	600	575-595	20
O6PI90CUC / O6PI90CUW	900	1030-1090	40*	O6IL20CUC	200	175-195	20
O6PI90CUC / O6PI90CUW	900	1230-1290	40*	O6IL40CUC	400	375-395	20
O6PI90CUC / O6PI90CUW	900	1430-1490	40*	O6IL60CUC	600	575-595	20
O6PI10CUC	1000	1130-1190	40*	O6IL20CUC	200	175-195	20
O6PI10CUC	1000	1330-1390	40*	O6IL40CUC	400	375-395	20
O6PI10CUC	1000	1530-1590	40*	O6IL60CUC	600	575-595	20

\* For width with a side panel remove 20mm

Wall fixing dimension



Glass thickness



CUSTOMER CARELINE 01460 256080

[www.coram.co.uk](http://www.coram.co.uk)

[technicalsupport@coram.co.uk](mailto:technicalsupport@coram.co.uk)

Coram Showers, Conquest Business Park  
Cad Road, Ilton, Somerset, TA19 9EA

**CORAM**  
SHOWERS