

# TECHNICAL DATA SHEET

## PREMIER 8 BI FOLD DOOR SHOWER ENCLOSURE

P8BF76CUC  
P8BF80CUC  
P8BF90CUC  
P8BF10CUC



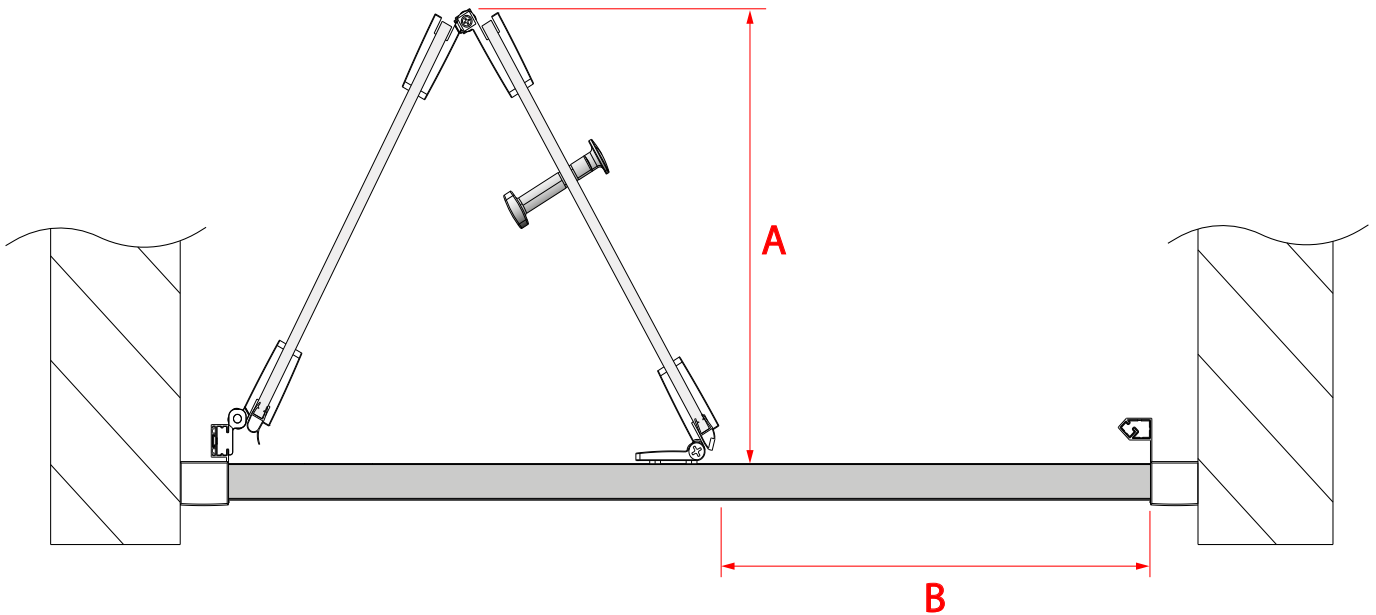
**CORAM**  
SHOWERS

# HEIGHT & WEIGHT

PRODUCT CODE	DESCRIPTION	WEIGHT GROSS KG	HEIGHT (MM)	WIDTH (MM)
P8BF76CUC	Premier 8 Bi-Fold Door 760mm Chrome	30	2000	760
P8BF80CUC	Premier 8 Bi-Fold Door 800mm Chrome	31.5	2000	800
P8BF90CUC	Premier 8 Bi-Fold Door 900mm Chrome	35.5	2000	900
P8BF10CUC	Premier 8 Bi-Fold Door 1000mm Chrome	39.5	2000	1000

all dimensions are in mm

# DOOR OPENING DIMENSIONS

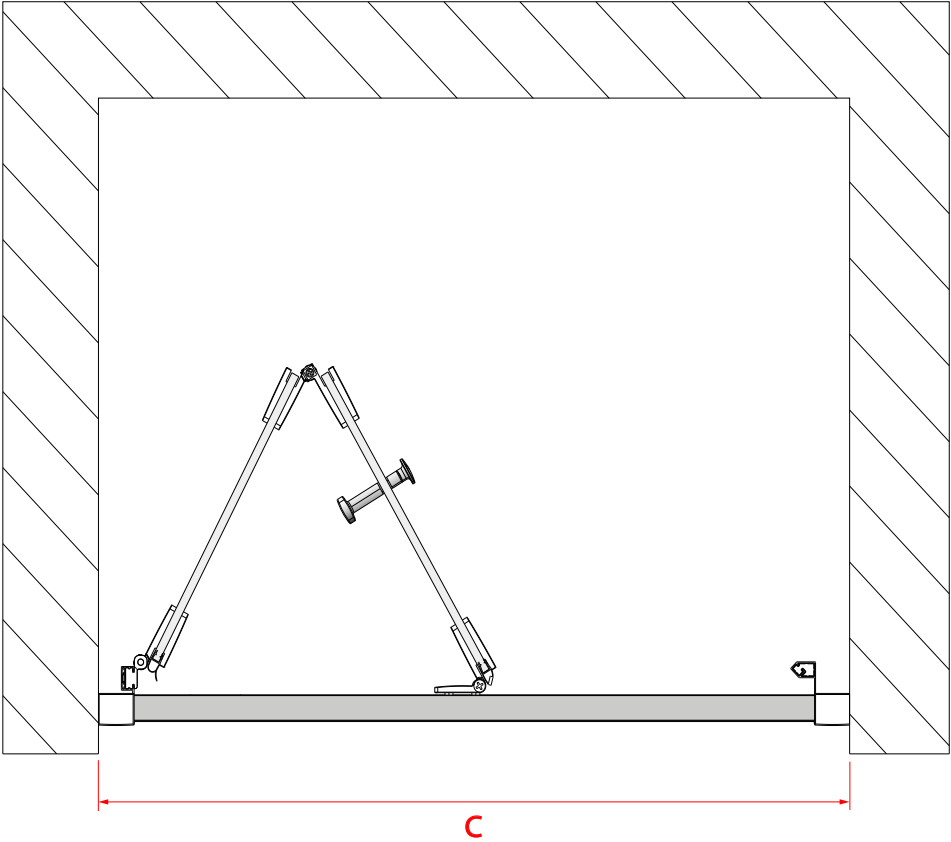


Door Opening Dimensions

PRODUCT CODE	PROTRUSION INTO ENCLOSURE (A)	DOOR OPENING (B)
P8BF76CUC	330	450
P8BF80CUC	350	470
P8BF90CUC	400	520
P8BF10CUC	450	570

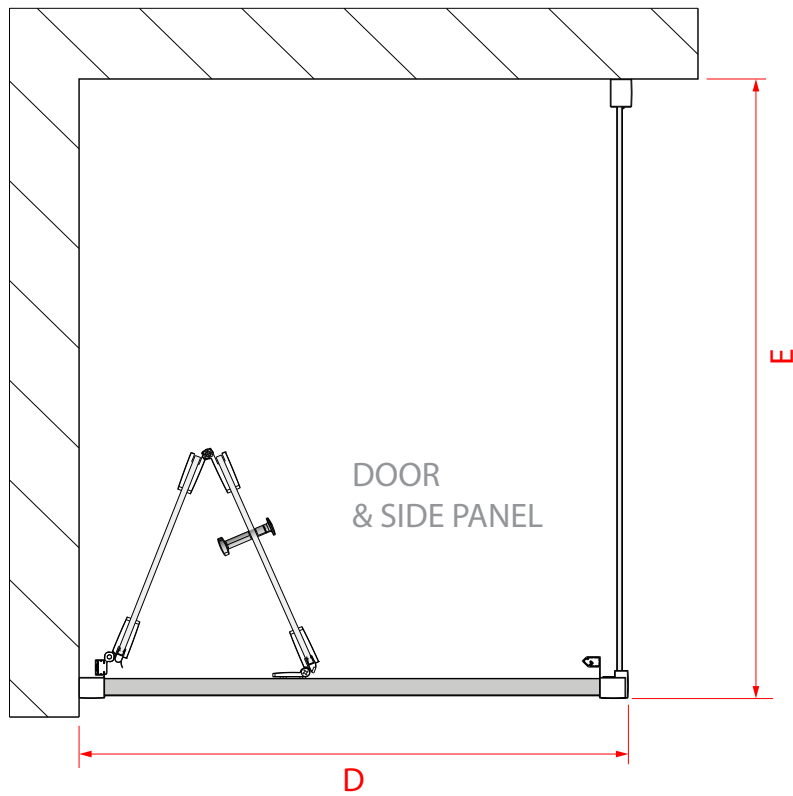
all dimensions are in mm

# BI FOLD DOOR ADJUSTMENT



PRODUCT CODE	OVERALL WIDTH (C)	ADJUSTMENT (DOOR)	AMOUNT OF ADJUSTMENT (PER SIDE)
P8BF76CUC	760	715- 755	20
P8BF80CUC	800	755-795	20
P8BF90CUC	900	855-895	20
P8BF10CUC	1000	955-995	20

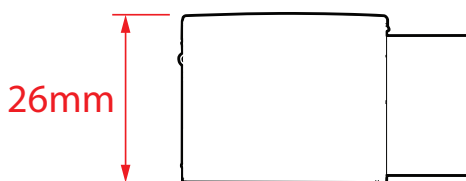
all dimensions are in mm



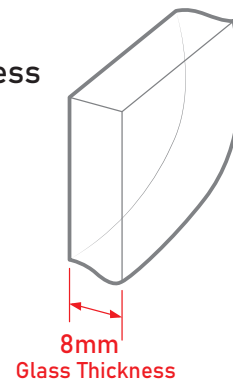
PRODUCT CODE	OVERALL WIDTH (D)	ADJUSTMENT (DOOR)	AMOUNT OF ADJUSTMENT	SIDE PANEL PRODUCT CODE	SIDE PANEL OVERALL WIDTH (E)	SIDE PANEL ADJUSTMENT	AMOUNT OF ADJUSTMENT
P8BF76CUC	760	715-735	20	P8SP70CUC	700	675-695	20
P8BF80CUC	800	755-775	20	P8SP76CUC	760	735-755	20
P8BF90CUC	900	855-875	20	P8SP80CUC	800	775-795	20
P8BF10CUC	1000	955-975	20	P8SP90CUC	900	875-895	20
-	-	-	-	P8SP10CUC	1000	975-995	20
-	-	-	-	P8SP12CUC	1200	1175-1195	20

all dimensions are in mm

Wall fixing dimension



Glass thickness



**CORAM**  
SHOWERS

CUSTOMER CARELINE 01460 256080

[www.coram.co.uk](http://www.coram.co.uk)

[technicalsupport@coram.co.uk](mailto:technicalsupport@coram.co.uk)

Coram Showers, Conquest Business Park  
Cad Road, Ilton, Somerset, TA19 9EA

**CORAM**  
SHOWERS