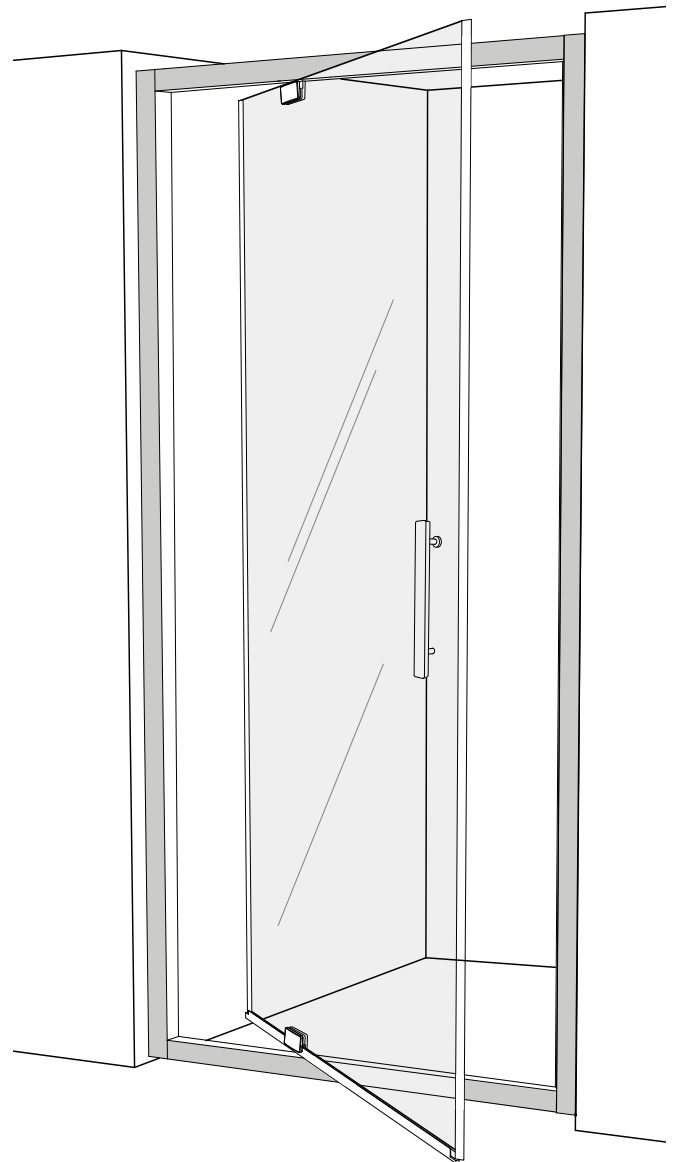


TECHNICAL DATA SHEET

PREMIER 8 PIVOT DOOR SHOWER ENCLOSURE, SIDE PANEL & INLINE PANEL

P8PI70CUC
P8PI76CUC
P8PI80CUC
P8PI90CUC
P8PI10CUC



CORAM
SHOWERS

HEIGHT & WEIGHT

Enclosure Specification

PRODUCT CODE	DESCRIPTION	WEIGHT KG	NET	HEIGHT (MM)	WIDTH (MM)
P8PI70CUC	Premier 8 Pivot Door 700mm Chrome	28		2000	700
P8PI76CUC	Premier 8 Pivot Door 760mm Chrome	30		2000	760
P8PI80CUC	Premier 8 Pivot Door 800mm Chrome	32		2000	800
P8PI90CUC	Premier 8 Pivot Door 900mm Chrome	35.5		2000	900
P8PI10CUC	Premier 8 Pivot Door 1000mm Chrome	40		2000	1000

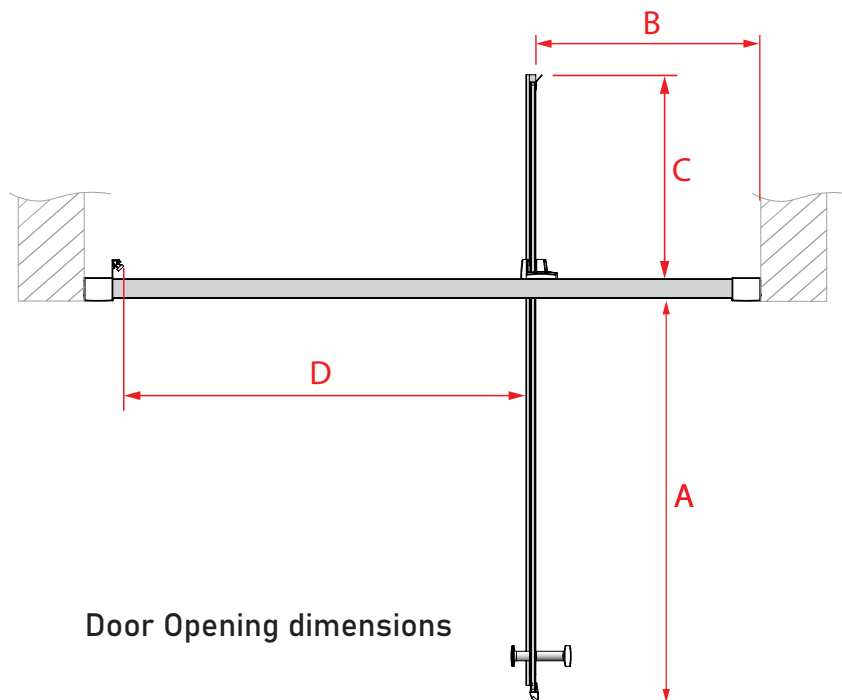
Side Panel Specification

PRODUCT CODE	DESCRIPTION	WEIGHT KG	NET	HEIGHT (MM)	WIDTH (MM)
P8SP70CUC	Premier 8 Side Panel 700mm Chrome	28		2000	700
P8SP76CUC	Premier 8 Side Panel 760mm Chrome	30		2000	760
P8SP80CUC	Premier 8 Side Panel 800mm Chrome	32		2000	800
P8SP90CUC	Premier 8 Side Panel 900mm Chrome	36		2000	900
P8SP10CUC	Premier 8 Side Panel 1000mm Chrome	40		2000	1000
P8SP12CUC	Premier 8 Side Panel 1200mm Chrome	48		2000	1200

In-line Panel Specification

PRODUCT CODE	DESCRIPTION	WEIGHT KG	NET	HEIGHT (MM)	WIDTH (MM)
P8IL20CUC	Premier 8 In-line Panel 200mm Chrome	9		2000	200
P8IL40CUC	Premier 8 In-line Panel 400mm Chrome	17		2000	400
P8IL60CUC	Premier 8 In-line Panel 600mm Chrome	25		2000	600

DOOR OPENING DIMENSIONS

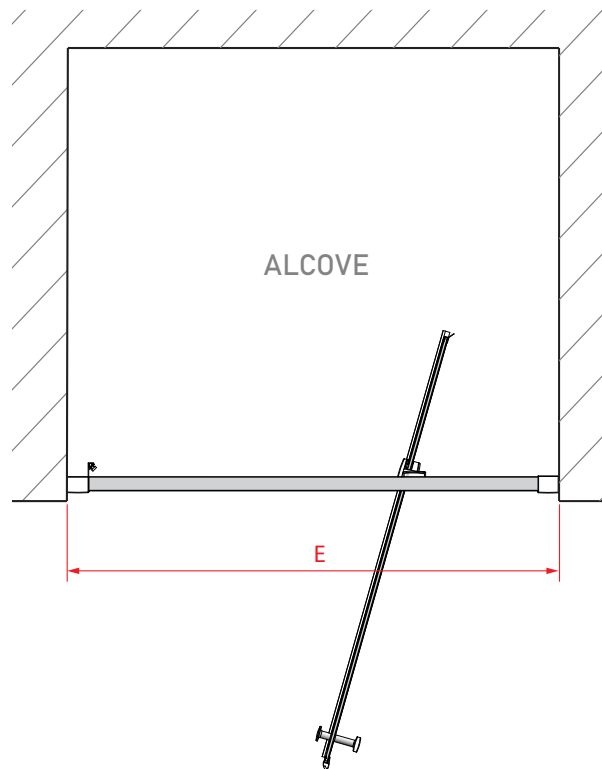


Door Opening dimensions

CORAM PRODUCT CODE	DOOR SWING (A)	DISTANCE TO WALL (B)	PROTRUSION INTO ENCLOSURE (C)	DOOR OPENING (D)
P8PI70CUC	408	185	157	413
P8PI76CUC	438	215	187	443
P8PI80CUC	458	235	207	463
P8PI90CUC	508	285	257	513
P8PI10CUC	558	335	307	563

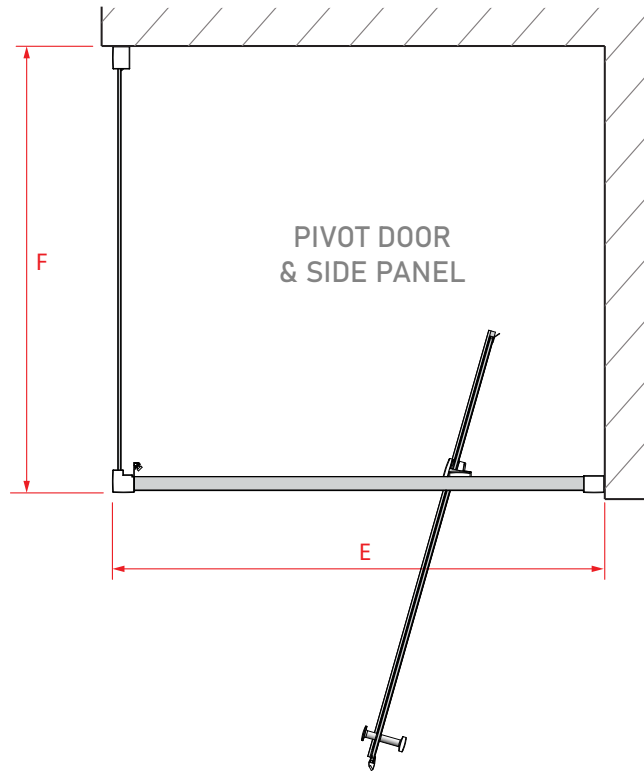
all dimensions are in mm

PIVOT DOOR ADJUSTMENT



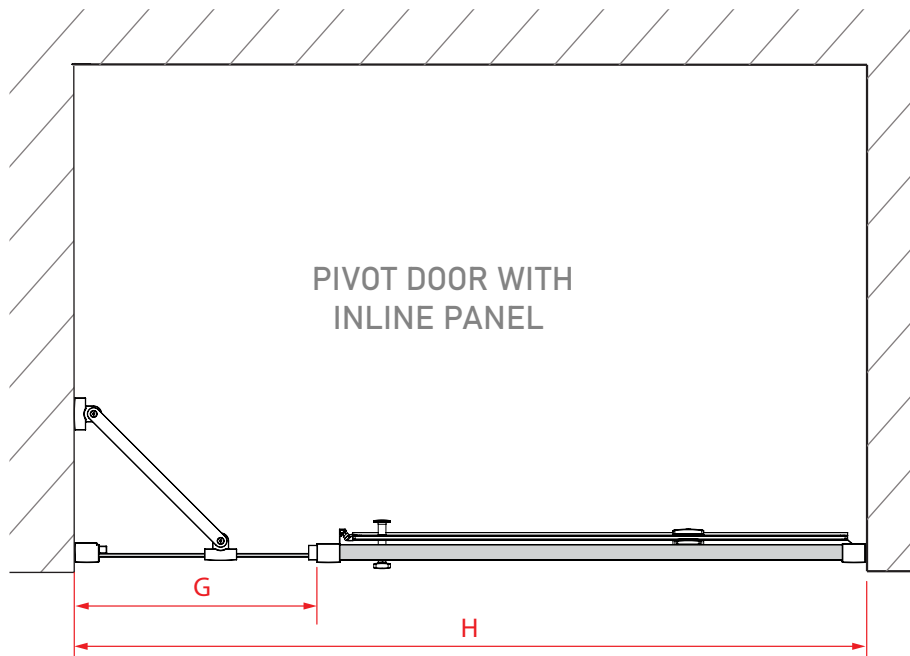
Door Adjustment dimensions

PRODUCT CODE	OVERALL WIDTH (DOOR) (E)	ADJUSTMENT (DOOR)	AMOUNT OF ADJUSTMENT (PER END)
P8PI70CUC	700	655-695	20
P8PI76CUC	760	715-755	20
P8PI80CUC	800	755-795	20
P8PI90CUC	900	855-895	20
P8PI10CUC	1000	955-995	20



DOOR PRODUCT CODE	OVERALL WIDTH (E)	ADJUSTMENT (DOOR)	AMOUNT OF ADJUSTMENT	PANEL PRODUCT CODE	SIDE PANEL (F)	ADJUSTMENT (SIDE PANEL)	AMOUNT OF ADJUSTMENT
P8PI70CUC	700	655-695	20	P8SP70CUC	700	675-695	20
P8PI76CUC	760	715-755	20	P8SP76CUC	760	735-755	20
P8PI80CUC	800	755-795	20	P8SP80CUC	800	775-795	20
P8PI90CUC	900	855-895	20	P8SP90CUC	900	875-895	20
P8PI10CUC	1000	955-995	20	P8SP10CUC	1000	975-995	20
				P8SP12CUC	1200	1175-1195	20

all dimensions are in mm

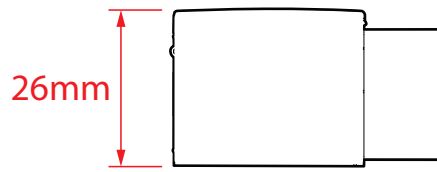


Door Adjustment dimensions

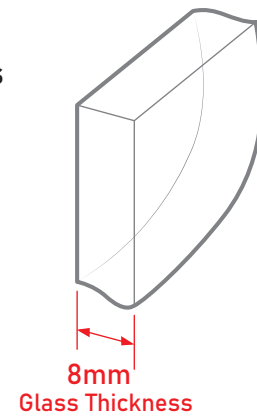
PRODUCT CODE	DOOR	OVERALL WIDTH (H)	AMOUNT OF ADJUSTMENT (DOOR)	INLINE PANEL (G)	INLINE PRODUCT CODE	INLINE PANEL ADJUSTMENT	AMOUNT OF ADJUSTMENT (INLINE)
P8PI70CUC	700	830-890	40*	200	O6IL20CUC	175-195	20
P8PI70CUC	700	1030-1090	40*	400	O6IL40CUC	375-395	20
P8PI70CUC	700	1230-1290	40*	600	O6IL60CUC	575-595	20
P8PI76CUC	760	890-950	40*	200	O6IL20CUC	175-195	20
P8PI76CUC	760	1090-1250	40*	400	O6IL40CUC	375-395	20
P8PI76CUC	760	1290-1350	40*	600	O6IL60CUC	575-595	20
P8PI80CUC	800	930-990	40*	200	O6IL20CUC	175-195	20
P8PI80CUC	800	1130-1190	40*	400	O6IL40CUC	375-395	20
P8PI80CUC	800	1330-1390	40*	600	O6IL60CUC	575-595	20
P8PI90CUC	900	1030-1090	40*	200	O6IL20CUC	175-195	20
P8PI90CUC	900	1230-1290	40*	400	O6IL40CUC	375-395	20
P8PI90CUC	900	1430-1490	40*	600	O6IL60CUC	575-595	20
P8PI10CUC	1000	1130-1190	40*	200	O6IL20CUC	175-195	20
P8PI10CUC	1000	1330-1390	40*	400	O6IL40CUC	375-395	20
P8PI10CUC	1000	1530-1590	40*	600	O6IL60CUC	575-595	20

* For width with a side panel remove 20mm

Wall fixing dimension



Glass thickness



CUSTOMER CARELINE 01460 256080

www.coram.co.uk

technicalsupport@coram.co.uk

Coram Showers, Conquest Business Park
Cad Road, Ilton, Somerset, TA19 9EA

CORAM
SHOWERS