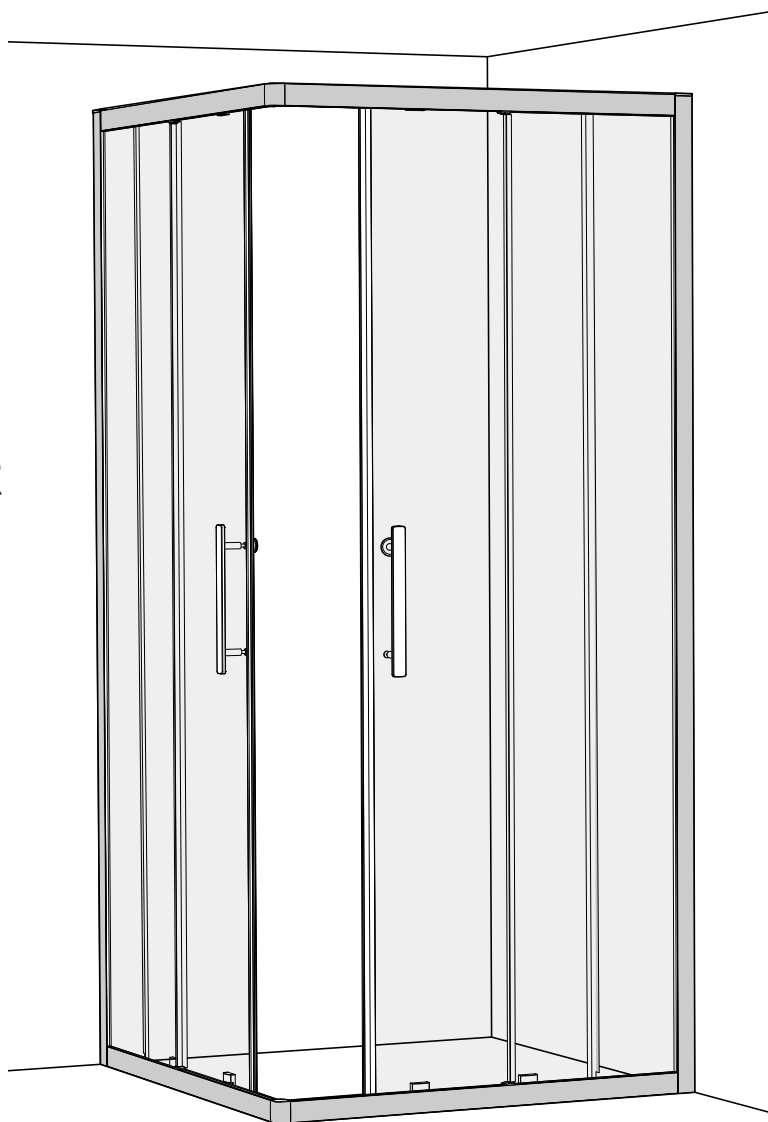


TECHNICAL DATA SHEET

PREMIER 8 CORNER ENTRY SHOWER ENCLOSURE

P8CE76CUC
P8CE80CUC
P8CE90CUC
P8CE10CUC



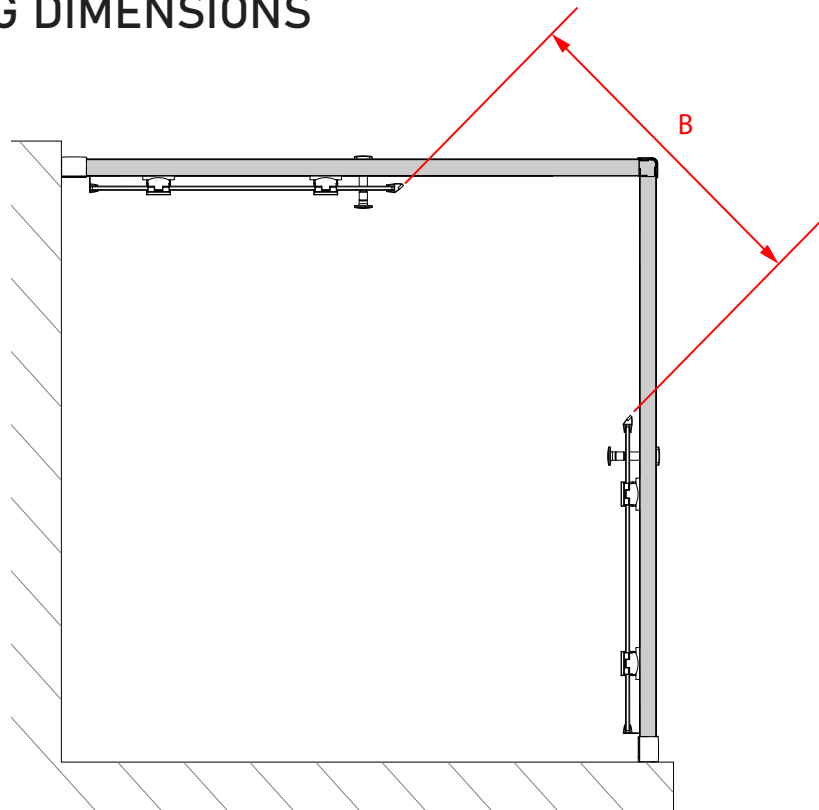
CORAM
SHOWERS

HEIGHT & WEIGHT

PRODUCT CODE	DESCRIPTION	WEIGHT GROSS KG	HEIGHT (MM)	WIDTH (MM)
P8CE76CUC	Premier 8 Corner Entry Door 760mm Chrome	51	2000	760
P8CE80CUC	Premier 8 Corner Entry Door 800mm Chrome	53.5	2000	800
P8CE90CUC	Premier 8 Corner Entry Door 900mm Chrome	60.5	2000	900
P8CE10CUC	Premier 8 Corner Entry Door 1000mm Chrome	67.5	2000	1000

all dimensions are in mm

DOOR OPENING DIMENSIONS

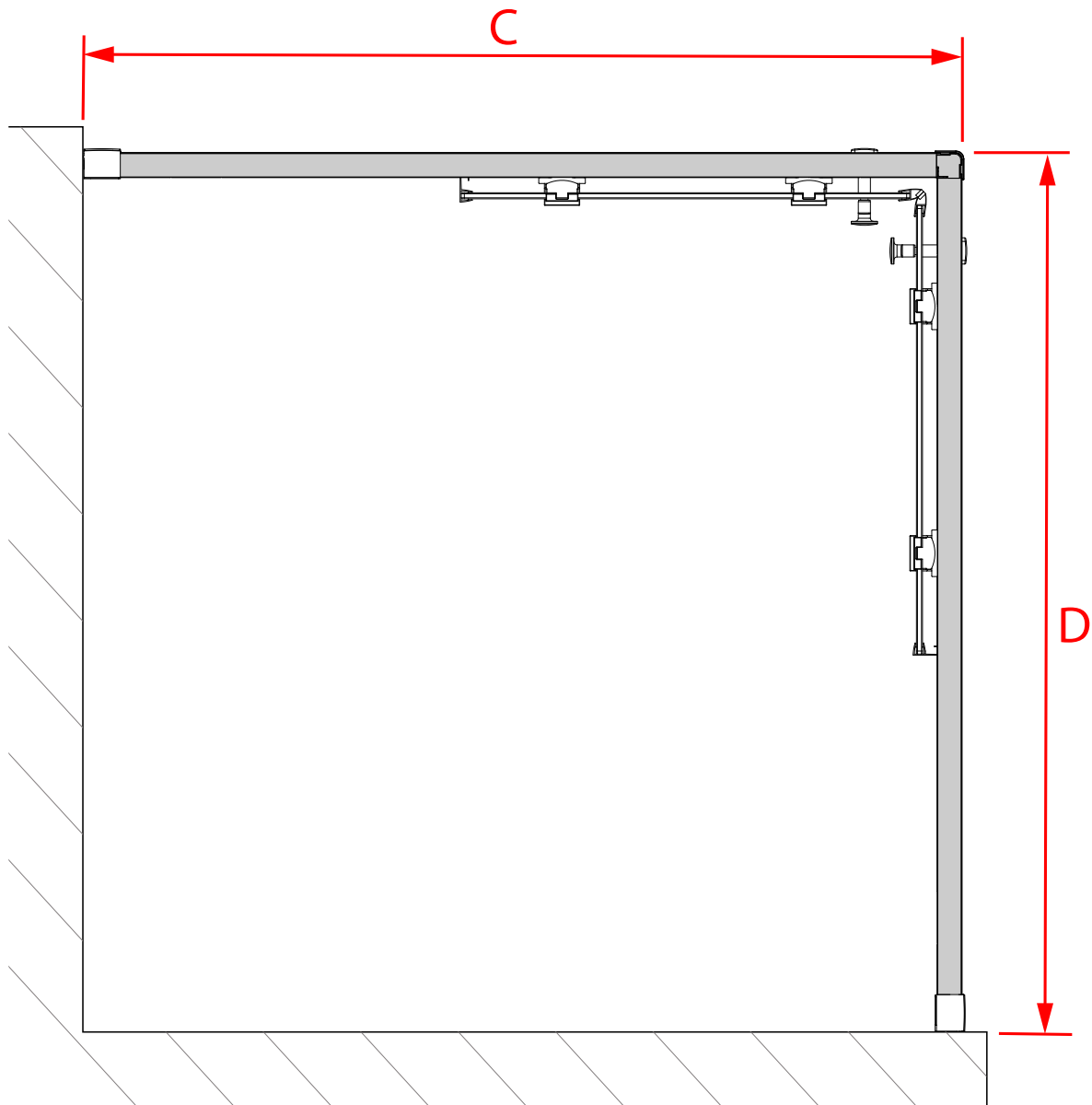


Door Opening Dimensions

PRODUCT CODE	DOOR OPENING (B)
P8CE76CUC	368
P8CE80CUC	397
P8CE90CUC	467
P8CE10CUC	538

all dimensions are in mm

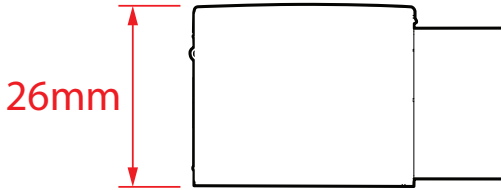
CORNER ENTRY DOOR ADJUSTMENT



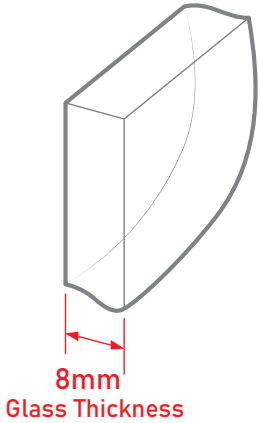
PRODUCT CODE	OVERALL WIDTH (C)	OVERALL WIDTH (D)	DOOR ADJUSTMENT	AMOUNT OF ADJUSTMENT (PER END)
P8CE76CUC	760	760	735-755 x 735-755	20
P8CE80CUC	800	800	775-795 x 775-795	20
P8CE90CUC	900	900	875-895 x 875-895	20
P8CE10CUC	1000	1000	975-995 x 975-995	20

all dimensions are in mm

Wall fixing dimension



Glass thickness



CUSTOMER CARELINE 01460 256080

www.coram.co.uk

technicalsupport@coram.co.uk

Coram Showers, Conquest Business Park
Cad Road, Ilton, Somerset, TA19 9EA

CORAM
SHOWERS