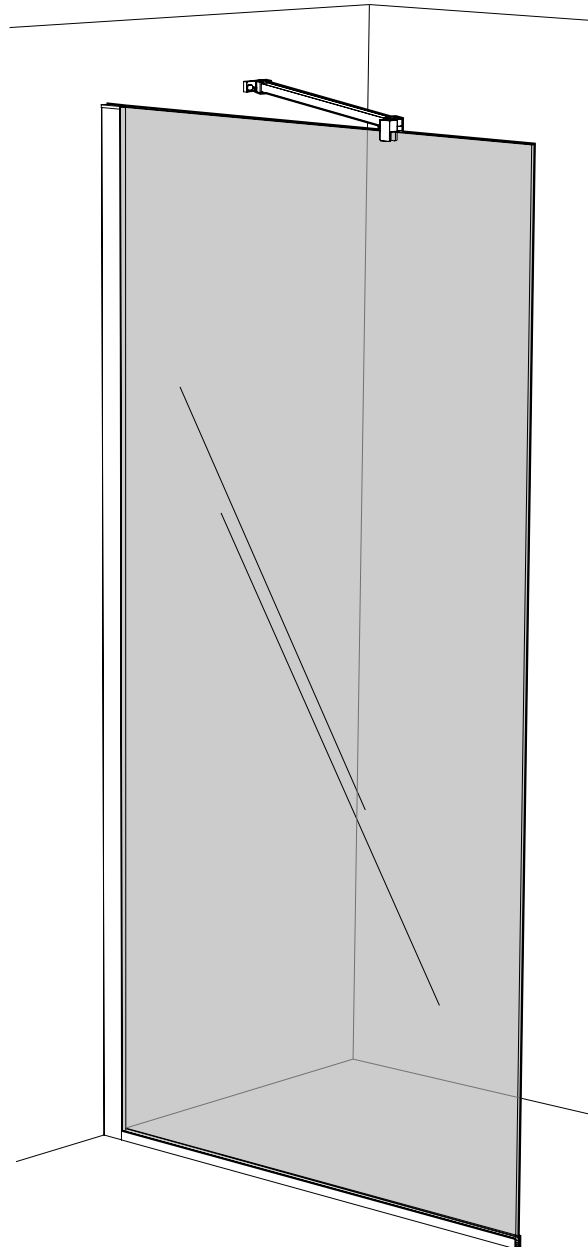


TECHNICAL DATA SHEET

PREMIER 8 GLASS SCREEN

SP70C
SP80C
SP90C
SP10C
SP11C
SP12C



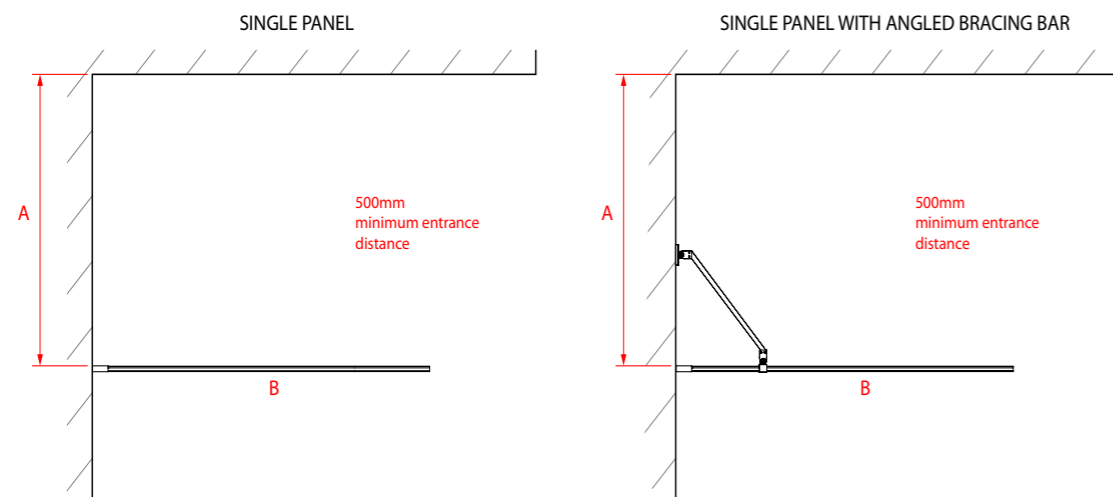
CORAM
SHOWERS

HEIGHT & WEIGHT

CORAM PRODUCT CODE	DESCRIPTION	WEIGHT NET KG	HEIGHT (MM)	WIDTH (MM)
SP70C	Coram Premier 8 Glass Screen 700mm Chrome	30.5	2000	700
SP80C	Coram Premier 8 Glass Screen 800mm Chrome	34.5	2000	800
SP90C	Coram Premier 8 Glass Screen 900mm Chrome	38.5	2000	900
SP10C	Coram Premier 8 Glass Screen 1000mm Chrome	42.5	2000	1000
SP11C	Coram Premier 8 Glass Screen 1100mm Chrome	46.5	2000	1100
SP12C	Coram Premier 8 Glass Screen 1200mm Chrome	50.5	2000	1200

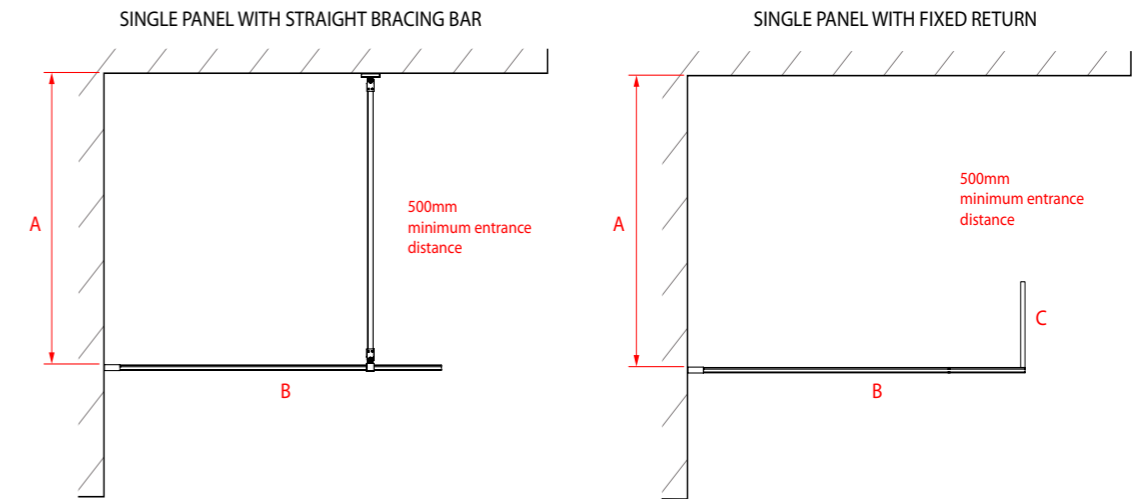
all dimensions are in mm

CONFIGURATIONS



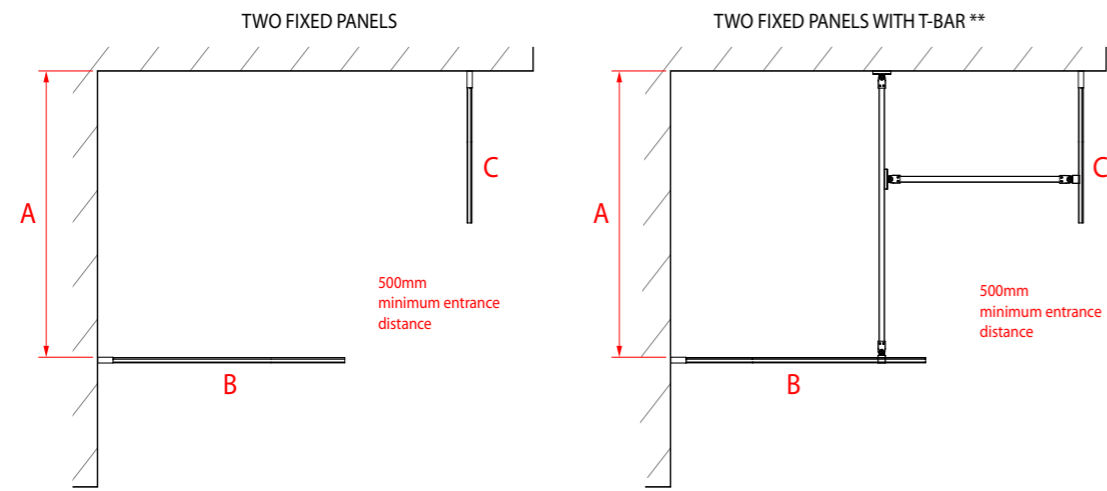
SINGLE PANEL	SINGLE PANEL WITH ANGLED BRACE BAR
A - Fixing bracket depth: 1200max	A - Fixing bracket depth: 1200 max
B - Panel size options: 700, 800, 900	B - Panel size options: 700**, 800**, 900**, 1000, 1100 and 1200

**Please note 700, 800 and 900mm Glass Screens are not sold with a Bracing Bar.



SINGLE PANEL WITH STRAIGHT BRACING BAR	SINGLE PANEL WITH FIXED RETURN
A - Fixing bracket depth: 1200max	A - Fixing bracket depth: 1200 max
B - Panel size options: 700**, 800**, 900**, 1000, 1100 and 1200	B - Panel size options: 700**, 800**, 900**, 1000, 1100 and 1200
	C - Return Panel options: 200 or 300

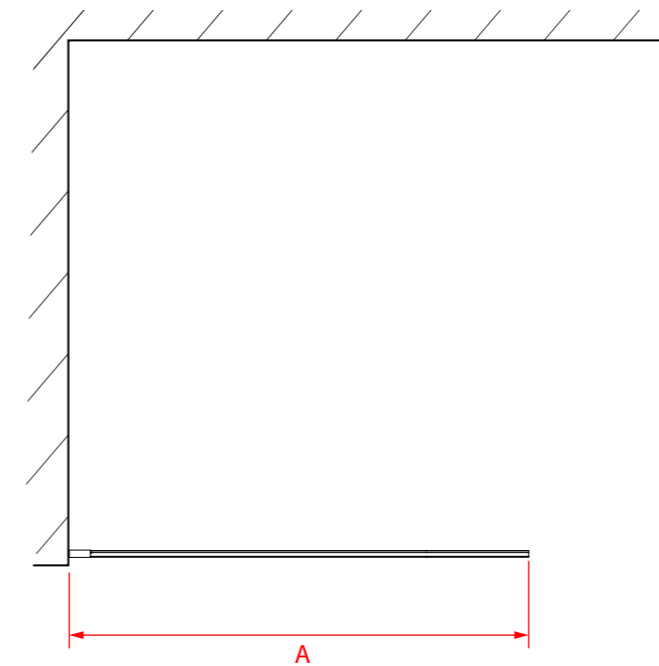
**Please note 700, 800 and 900mm Glass Screens are not sold with a Bracing Bar.



TWO FIXED PANELS	TWO FIXED PANELS WITH T-BAR**
A - Fixing bracket depth: 1200max	A - Fixing bracket depth: 1200 max
B+C - Panel size options: 700**, 800**, 900**, 1000, 1100 and 1200	B + C - Panel size options: 700**, 800**, 900**, 1000, 1100 and 1200

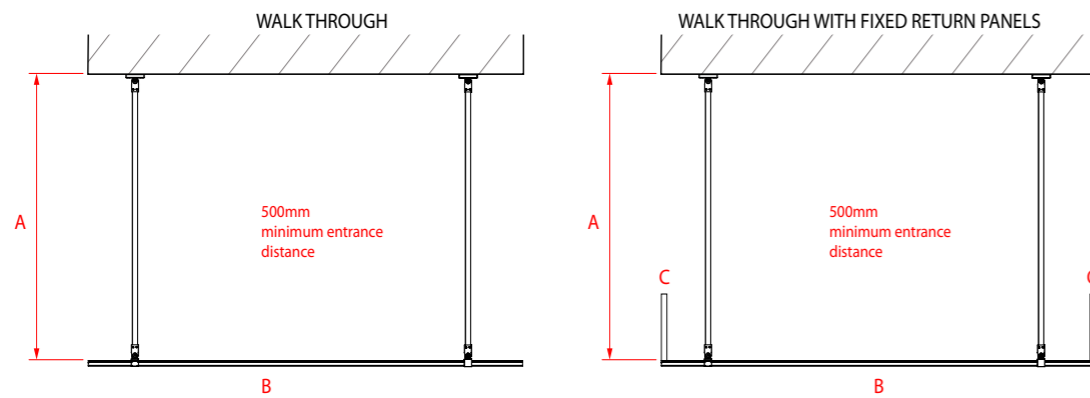
**Please note 700, 800 and 900mm Glass Screens are not sold with a Bracing Bar.

PANEL ADJUSTMENT



CORAM PRODUCT CODE	OVERALL WIDTH (A)	ADJUSTMENT	AMOUNT OF ADJUSTMENT
SP70C	760	680-700	20
SP80C	800	780-800	20
SP90C	900	880-900	20
SP10C	1000	980-1000	20
SP11C	1100	1080-1100	20
SP12C	1200	1180-1200	20

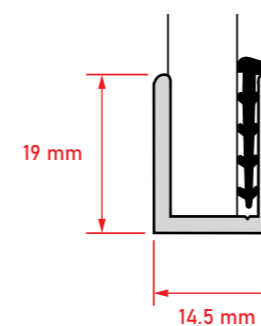
all dimensions are in mm
Please note, when installed as a Walk Through Panel arrangement there is no adjustment possible.



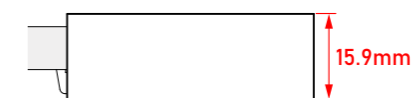
WALK THROUGH	WALK THROUGH WITH FIXED RETURN PANELS
A - Fixing bracket depth: 1200max	A - Fixing bracket depth: 1200 max
B - Panel size options: 1000*, 1100* and 1200*	B - Panel size options: 1000*, 1100* and 1200*
-	C - Return Panel options: 200 or 300

*Please note for walk-through panel sizes of 1000, 1100 or 1200 you will need an additional Bracing bar. Other formats are available to suit your specific requirements, the ones shown are just a few of the possible configurations.

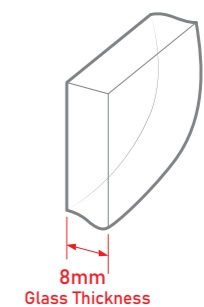
Bottom Trim



Wall fixing dimension



Glass thickness



CUSTOMER CARELINE 01460 256080

www.coram.co.uk

technicalsupport@coram.co.uk

Coram Showers, Conquest Business Park
Cad Road, Ilton, Somerset, TA19 9EA

CORAM
SHOWERS